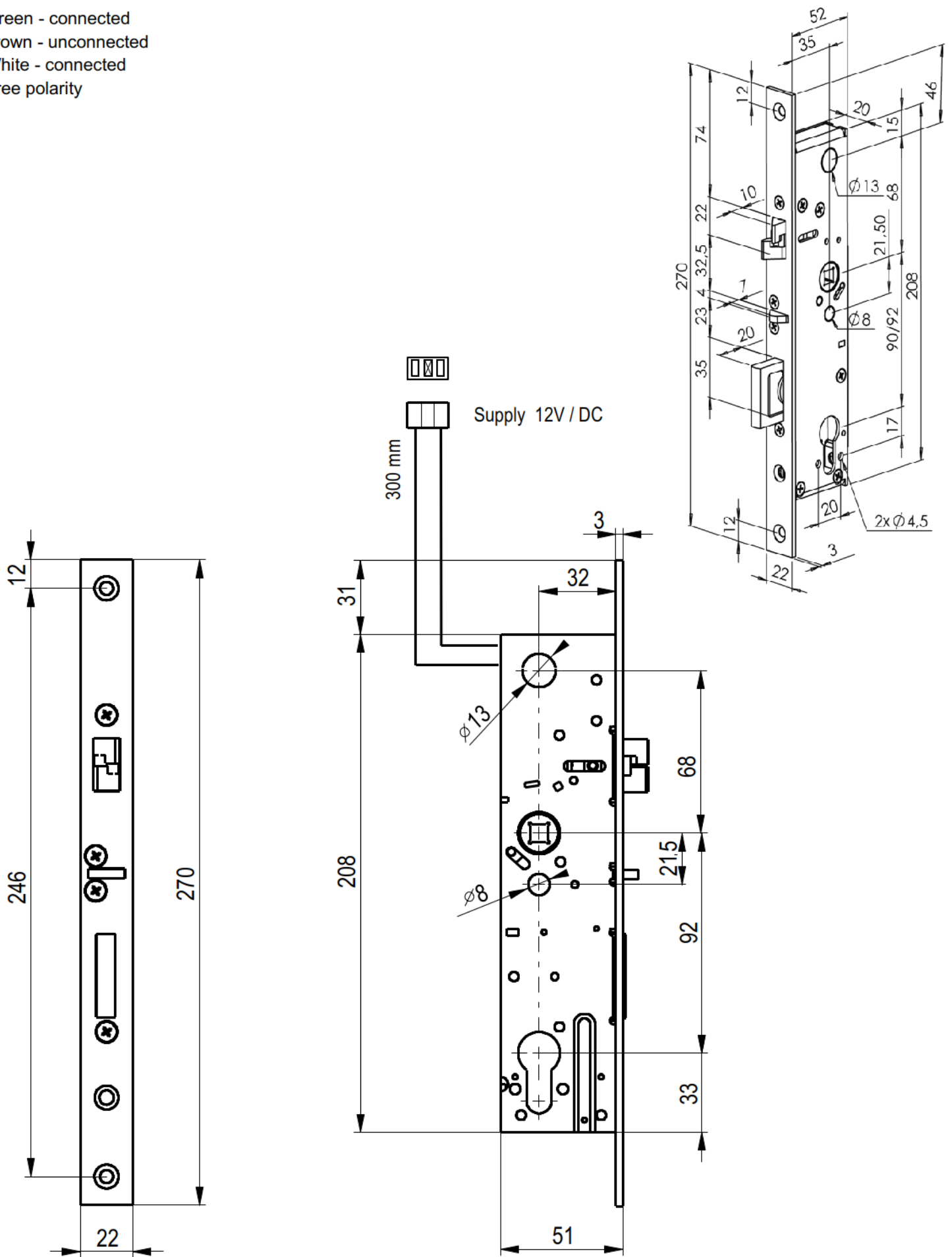


Green - connected  
Brown - unconnected  
White - connected  
Free polarity



BERA TYPE - E,V Wiring