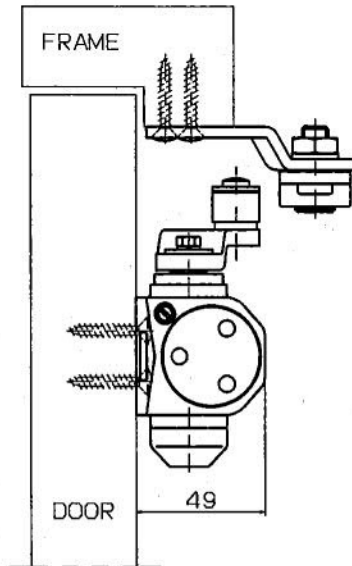
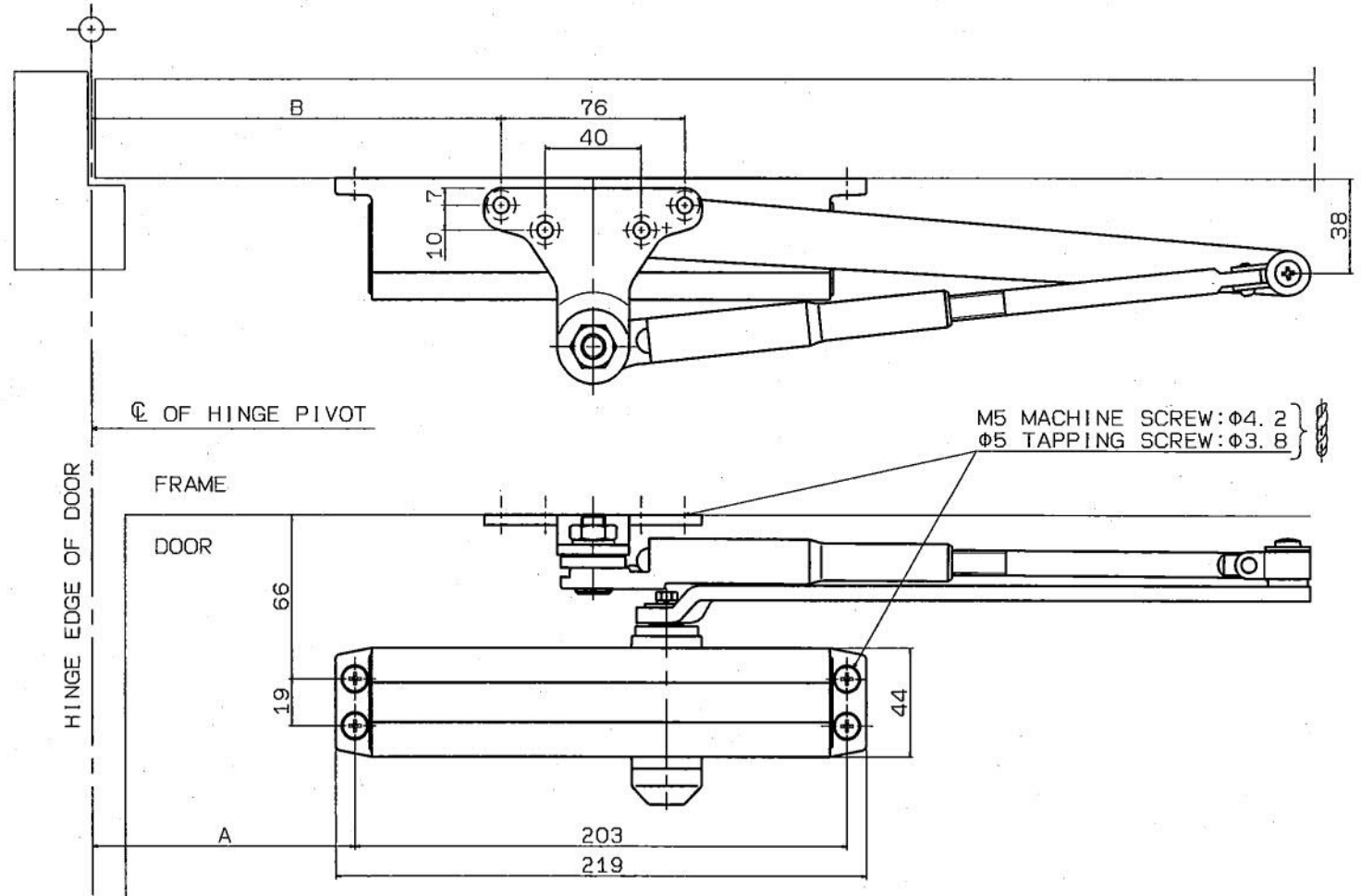


| Size | No cover | | Maximum door weight | Maximum door width | |
|------|-------------------|----------------|---------------------|--------------------|----------|
| | Without backcheck | With backcheck | | Interior | Exterior |
| 3 | DS-1504P | DS-1504BCP | 65kg | 1050mm | 900mm |
| 4 | | | 80kg | 1200mm | 950mm |

● With hold-open

| Dimension A·B | Size 4 | Size 3 |
|----------------------|--------|--------|
| Maximum door opening | 100° | 180° |
| Dimension A | 184 | 108 |
| Dimension B | 238 | 168 |



| | | | | | |
|---------------|-------------|--------------|-----------|------------|------|
| RYOBI LIMITED | PRODUCTS | APPLICATION | MODEL No. | DATE | REV. |
| | DOOR CLOSER | Parallel arm | DS-1504P | 08/30/2018 | |