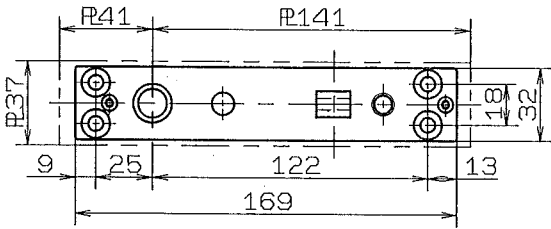
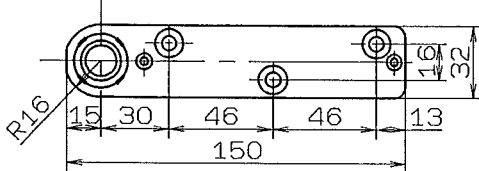


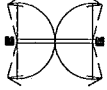
RYOBI FLOOR HINGES INSTALLATION GUIDE

Top pivot(upper frame side)

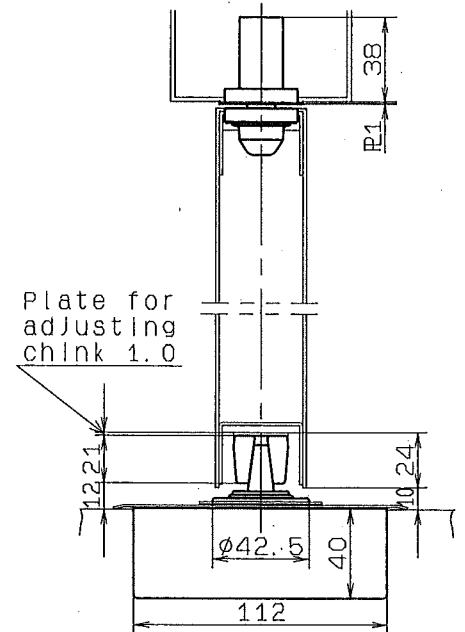
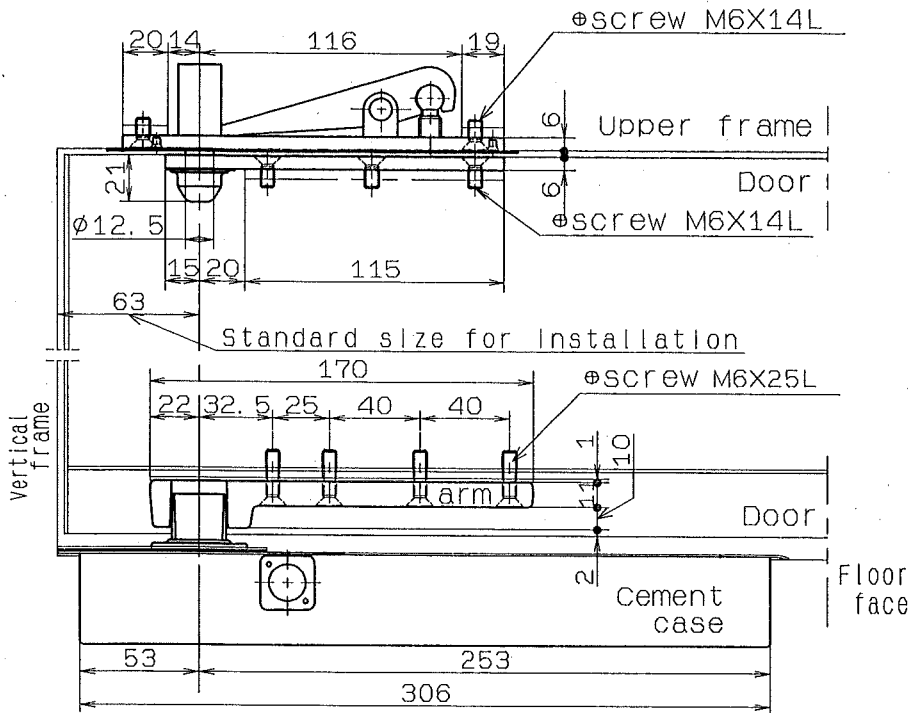


Top pivot(door side)

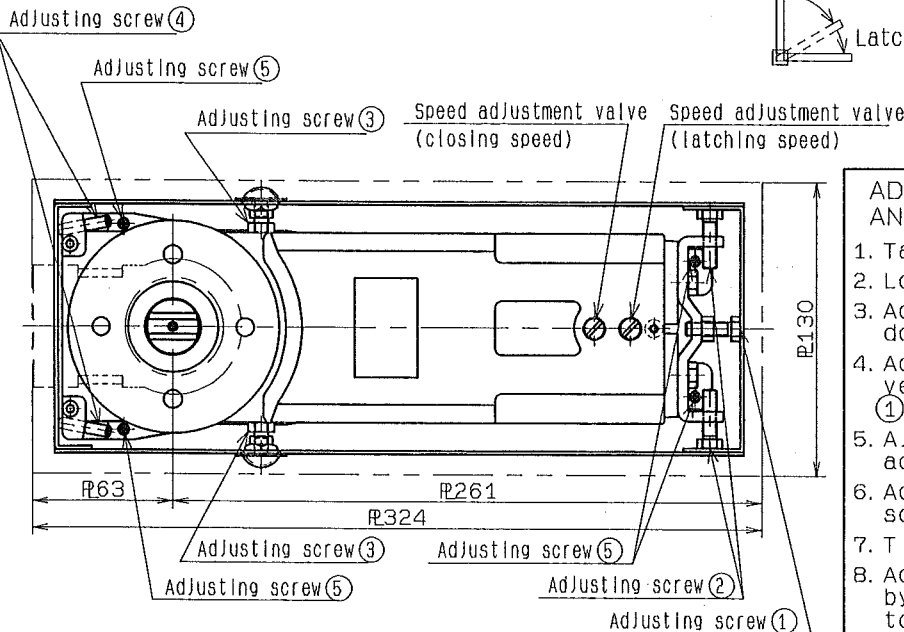
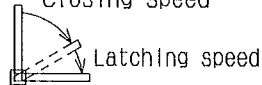


OPENING SYSTEM OF DOOR	MODEL NUMBER	HOLD OPEN ANGLE	DOOR SIZE	
			WIDTH X HEIGHT (mm)	WEIGHT (kg)
DOUBLE ACTION CENTER HUNG DOORS  MAXIMUM OPENING ANGLE 108°	5403K	90° HOLD	950X2100	150
	403K	NON-HOLD		

Notes: Dimension is indicated in mm



Closing speed



ADJUSTMENT OF DOOR POSITION AND DOOR CLOSING SPEED.

1. Take off floor plate.
2. Loosen adjusting screws ①②③④.
3. Adjust space between floor and door by adjusting screw ⑤.
4. Adjust space between door and vertical frame by adjusting screws ①④.
5. Adjust door closing position by adjusting screw ②.
6. Adjust center position by adjusting screw ③.
7. Tighten adjusting screws ①②③④.
8. Adjust closing and latching speed by turning speed adjustment valve to clockwise for slower speed or counter-clockwise for faster speed.