

RYOBI D1200 Door Closer TOP JAMB INSTALLATION

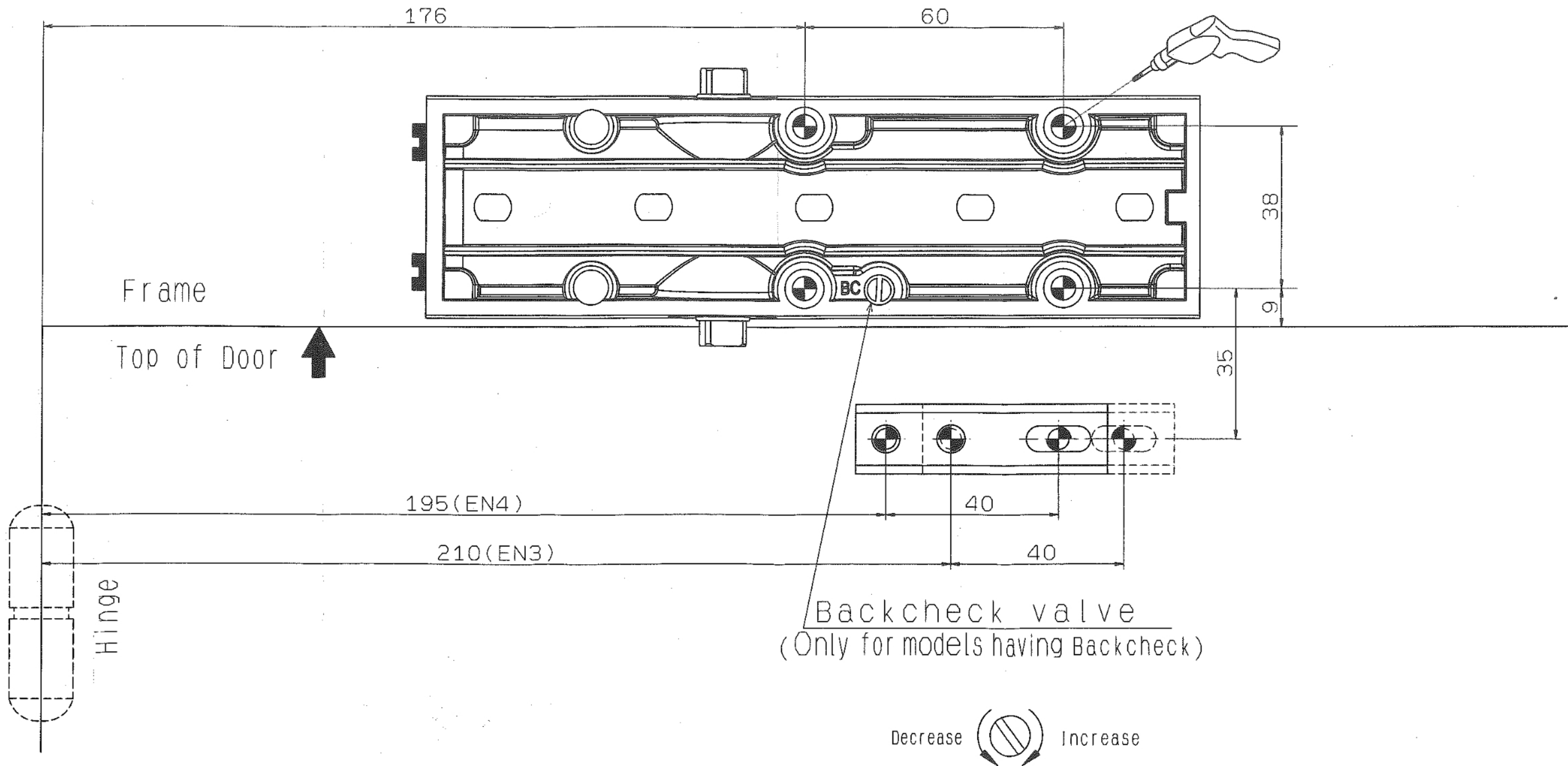
Precautions:

1. Install the door closer according to the specification of installation diagram;
Meanwhile make sure that all the screws are fastened.
2. The valves are prohibited to screw out of the door closer, while adjusting the closing and latching speed;
3. When closing the door, no additional forces by hand, if not maybe the door closer will be failure.
4. If do not follow this installation, the company is not responsible for the consequences caused.
5. Max opening angle is 180°.

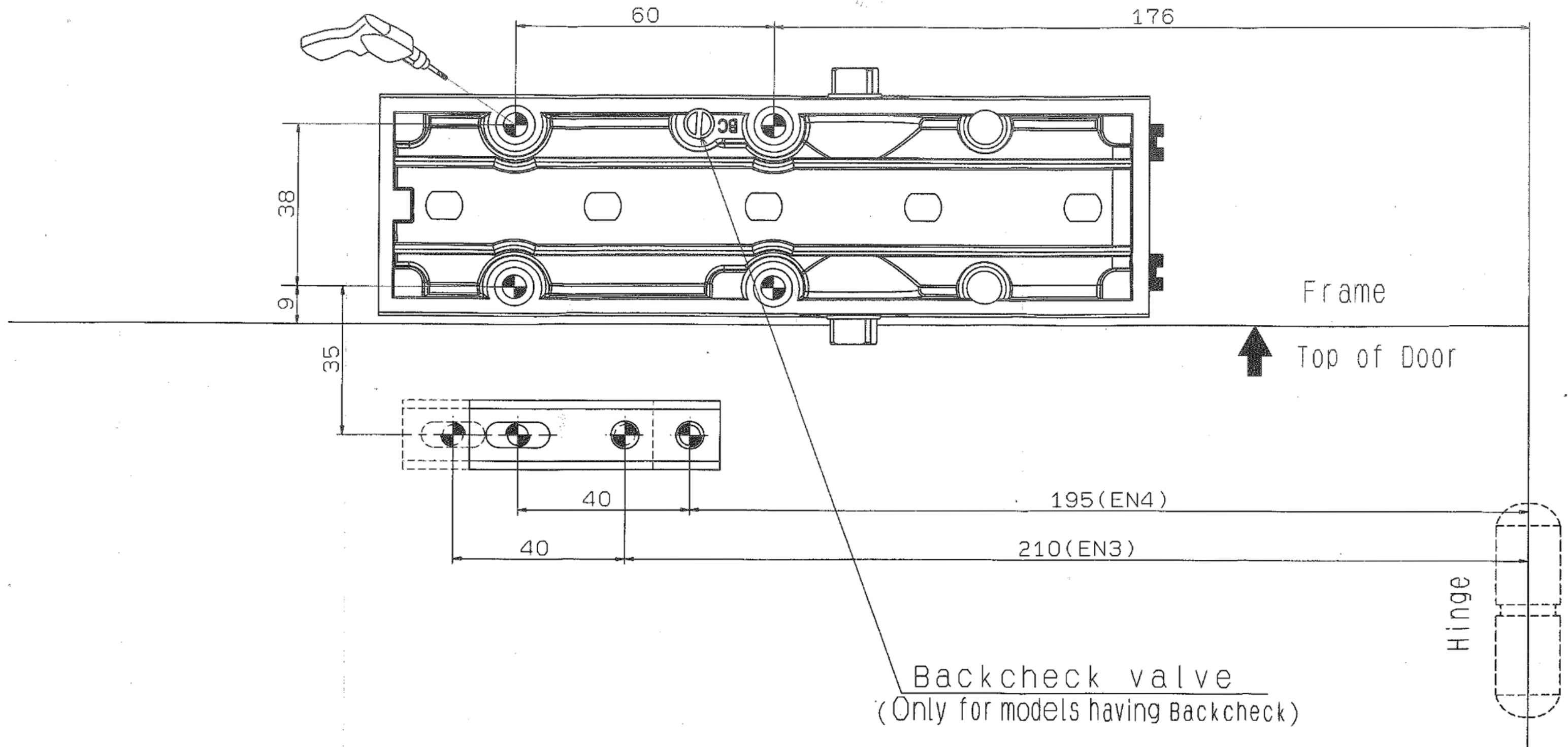
Door closer strength selection	
Strength specification	usable door weight(kg)
Power EN3	40~60
Power EN4	60~80

Drill and screw selection				
Door types	Metal door		Wooden door	
	Drill	Drill	Drill	Drill
	φ4.2	φ5	φ3.5	φ4
screw	M5	M6	φ5	φ5.8

Closer mounted on top jamb on push side of door.



Closer mounted on top jamb on push side of door.



Backcheck valve
(Only for models having Backcheck)



RYOBI D1200 Door Closer STANDARD INSTALLATION

Precautions:

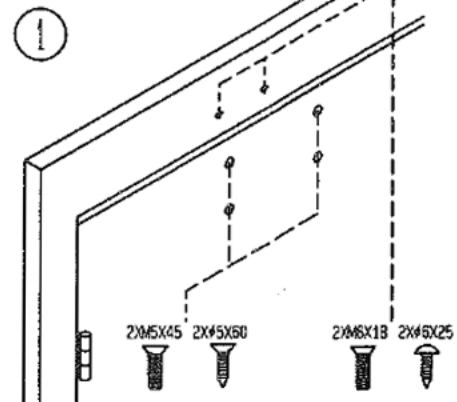
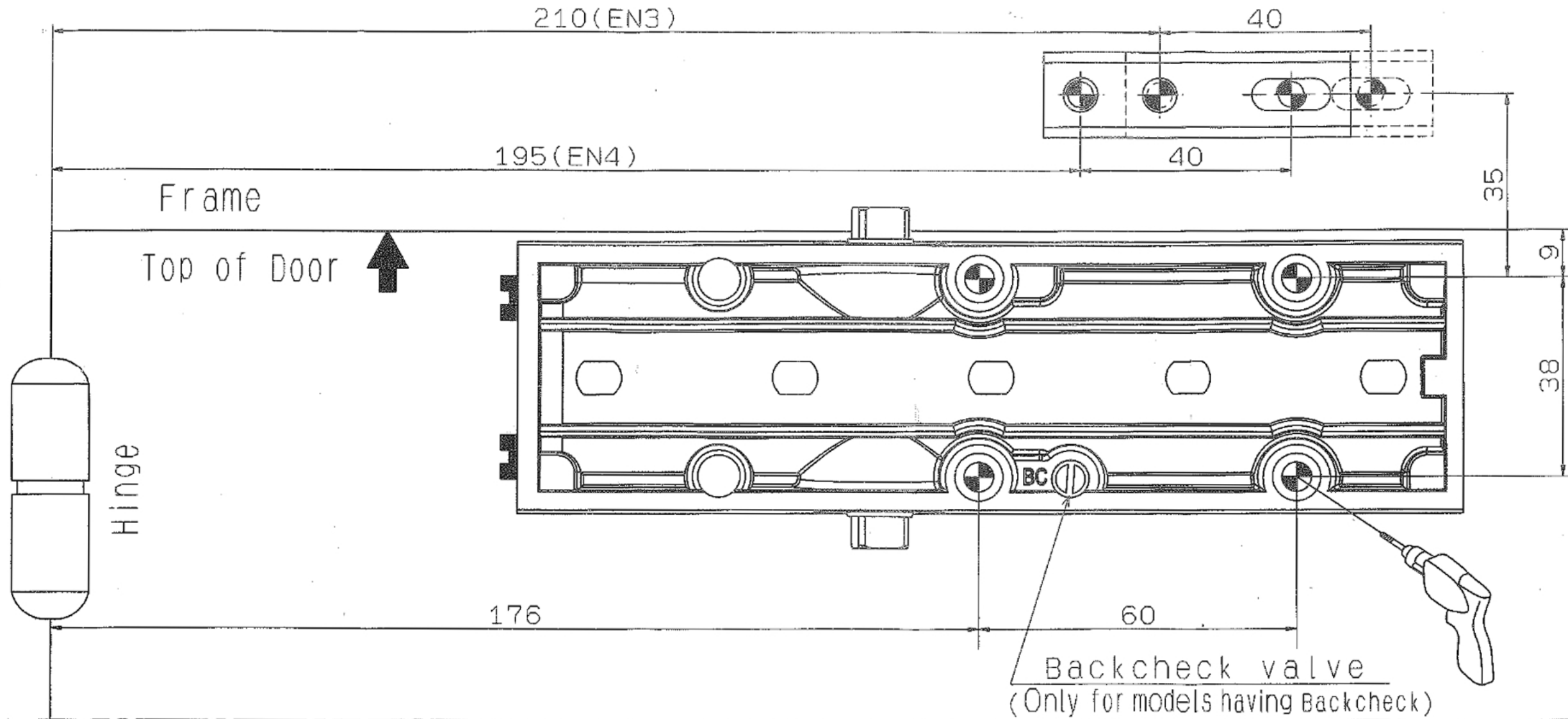
1. Install the door closer according to the specification of installation diagram. Meanwhile make sure that all the screws are fastened.
2. The valves are prohibited to screw out of the door closer while adjusting the closing and latching speed.
3. When closing the door, no additional forces by hand, if not maybe the door closer will be failure.
4. If do not follow this installation, the company is not responsible for the consequences caused.
5. Max opening angle is 180°.

CE	RYOBI Limited	23					
	D-1200	EN1154:1996/A1:2022/AC:2006 0370-CP2-7011	4	8	4 3	1	1

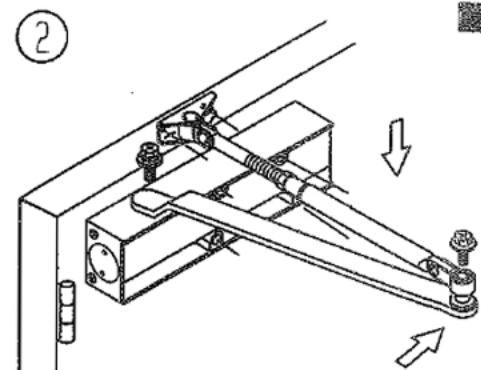
Door closer strength selection	
Strength specification	usable door weight(kg)
Power EN3	40~60
Power EN4	60~80

Drill and screw selection			
Door types	Metal door		Wooden door
Wll	#4.2	#5	#3.5 #4
screw	M5	M6	φ5 φ5.8

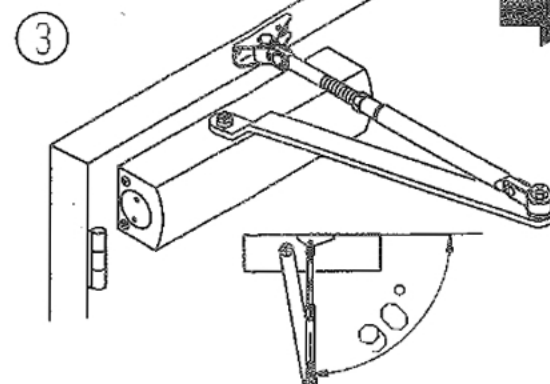
Closer mounted on door on pull side



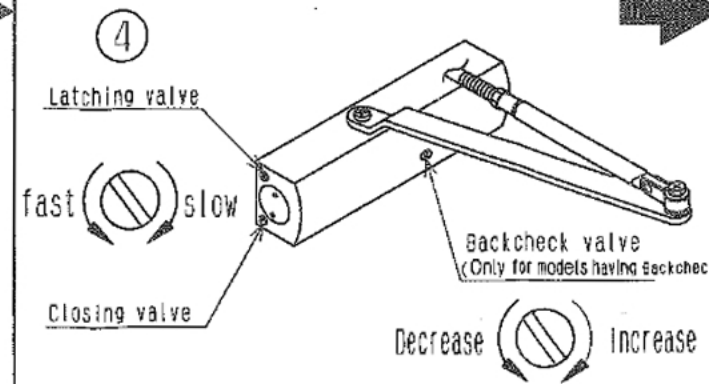
mark holes for closer body and arm shoe bracket hole



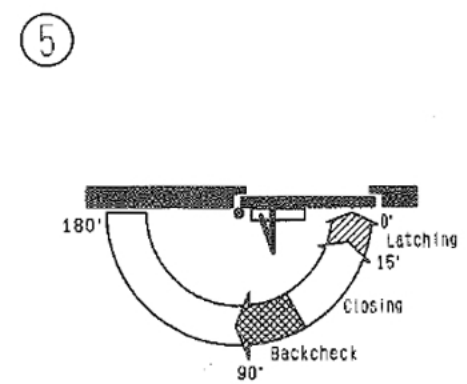
Place arm pivot bracket assembly into position and fix closer body to the marked holes.



1. Adjust forearm length so that it will be perpendicular (at a 90°) to the door face.
2. The forearm and main arm are connected with the gasket and screws;



Adjust closing valve and latching valve and backcheck valve



speed control

Closer mounted on door on pull side

