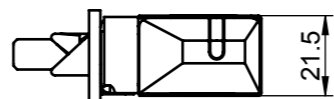
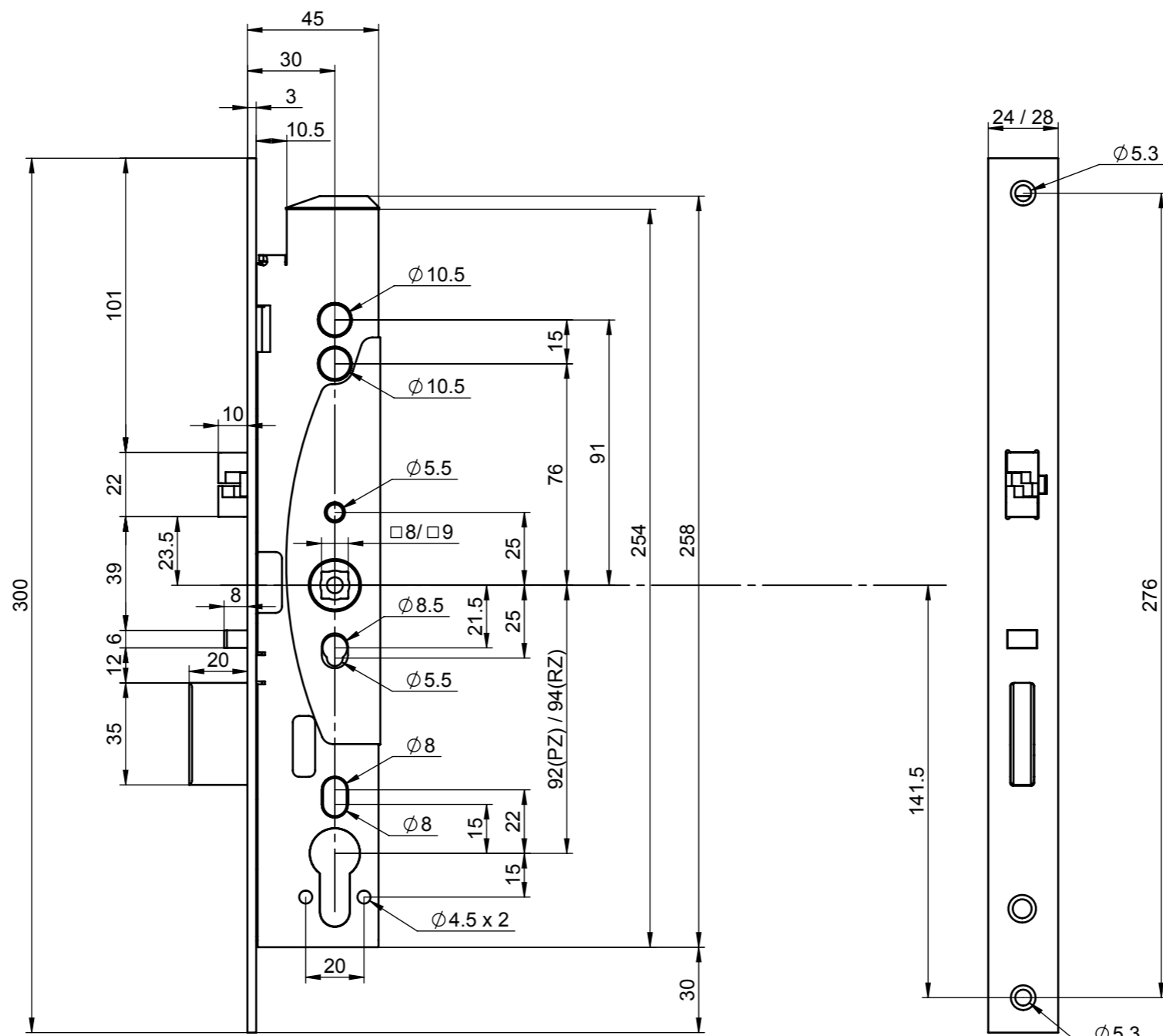


This document is our property and shall not without our permission be altered, copied, used for manufacturing or communicated to any other person or company.



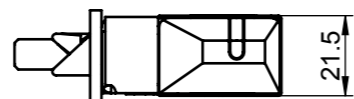
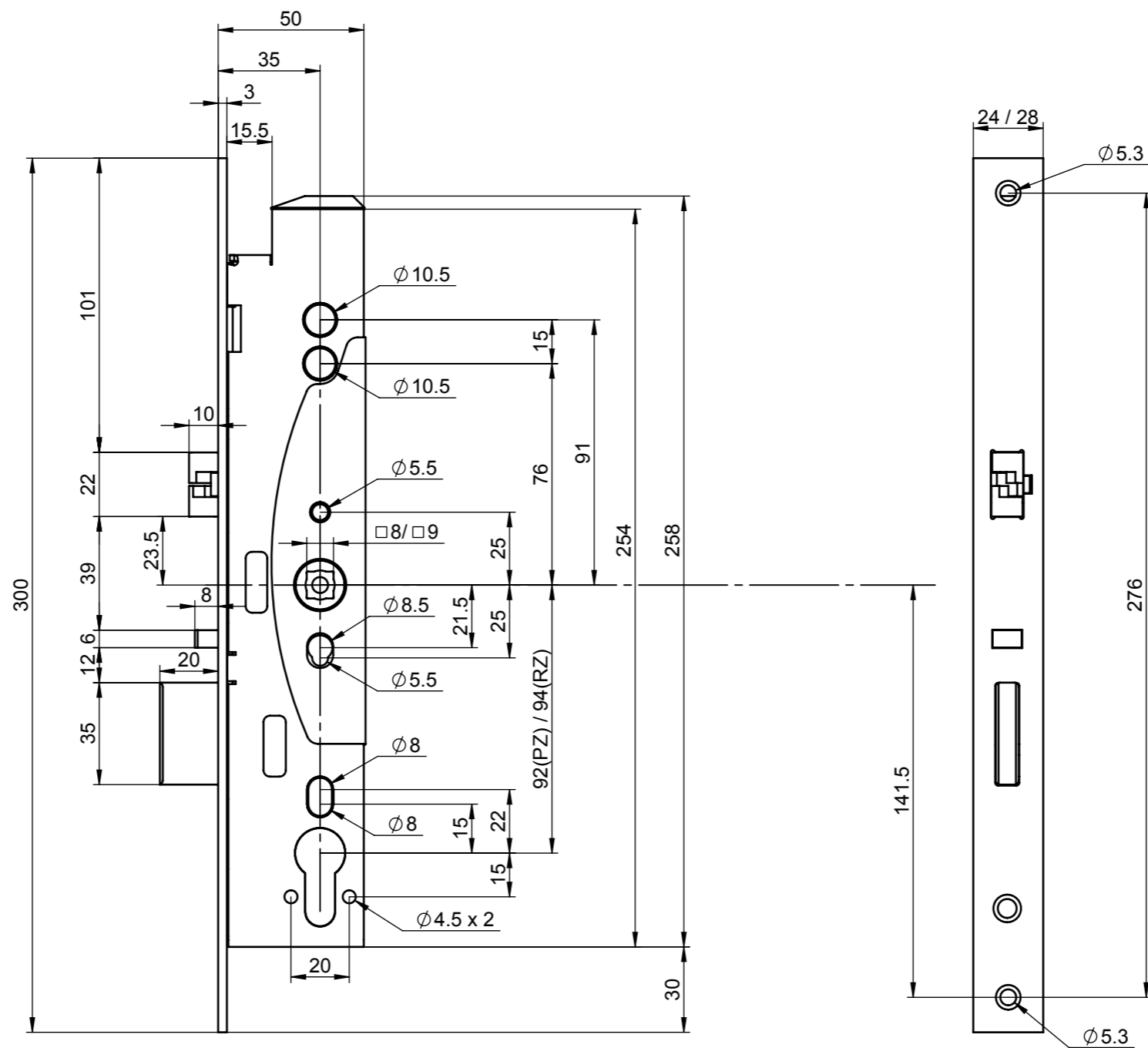
| | | | | | | | | |
|---|---------|---------------|---------------------------|--------------|-------------------|-----------------------------------|-----------------|--|
| Surface: 456466 | | | Material: | | | General tolerance: ISO 2768-mH | | |
| Volume: | Weight: | Surface area: | created: 11.08.2014 JK | designed by: | changed by: | Scale: 1:2 (A3) | Projection: | |
| Abloy Oy An ASSA ABLOY Group brand | | | ABLOY EL460 / 30 | | | Alternate ID | | |
| | | | Document ID | | Rev.: 1 | | | |


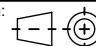
Part/assy:

Configuration:Default

SHEET 1 OF 4

This document is our property and shall not without our permission be altered, copied, used for manufacturing or communicated to any other person or company.



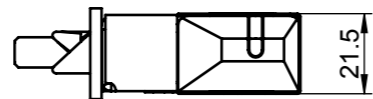
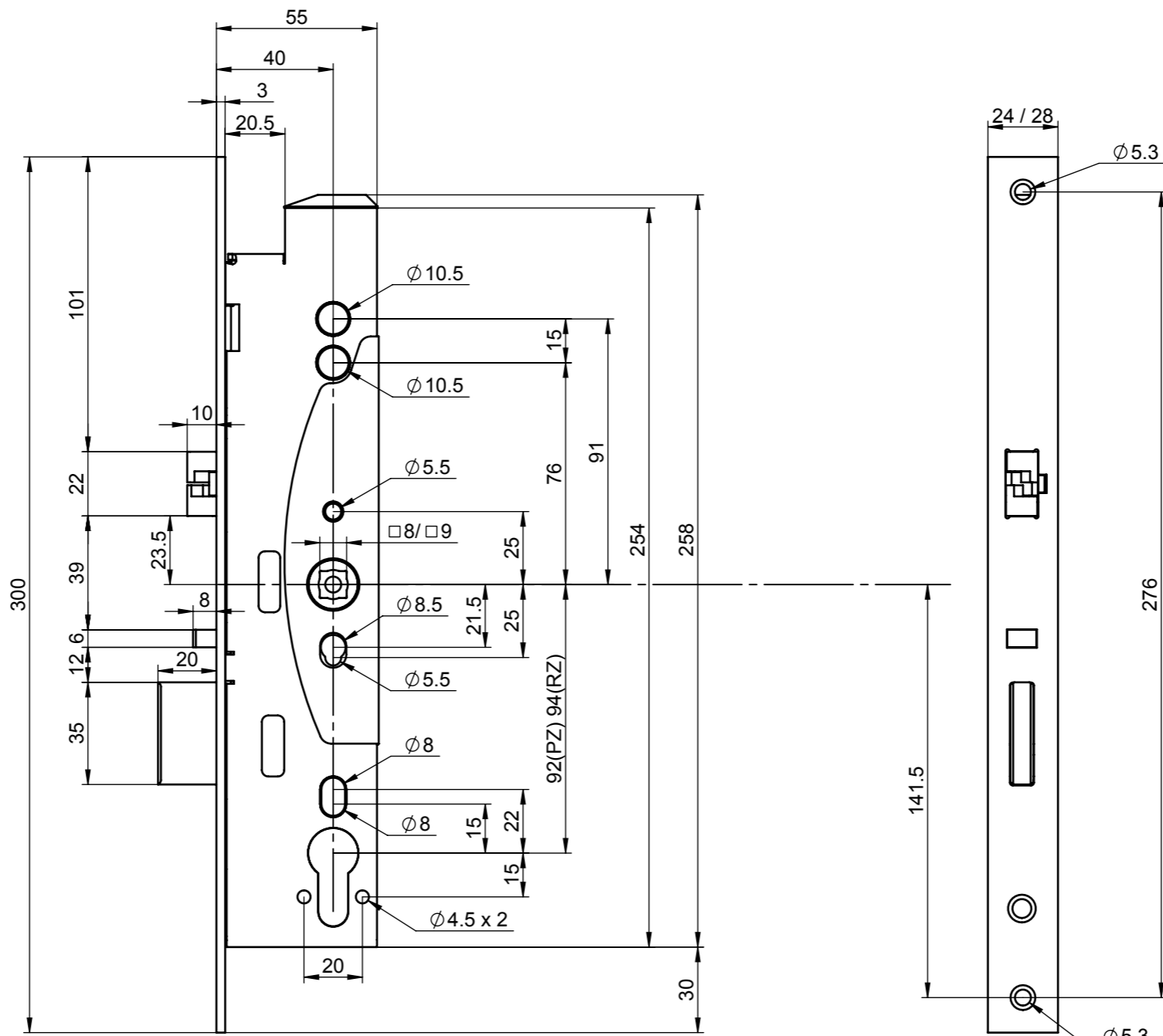
| | | | | | | |
|--|---------|---------------|---------------------------|--------------|-----------------------------------|--|
| Surface: 456466 | | Material: | | | General tolerance: ISO 2768-mH | |
| Volume: | Weight: | Surface area: | created: 11.08.2014 JK | designed by: | changed by: | Scale: 1:2 (A3) |
|  An ASSA ABLOY Group brand | | | ABLOY EL460 / 35 | | | Projection:  |
| | | | Alternate ID | Document ID | Rev.: 1 | |


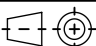
Part/assy:

Configuration:Default

SHEET 1 OF 3

This document is our property and shall not without our permission be altered, copied, used for manufacturing or communicated to any other person or company.

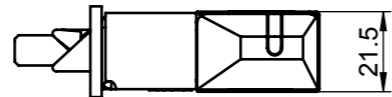
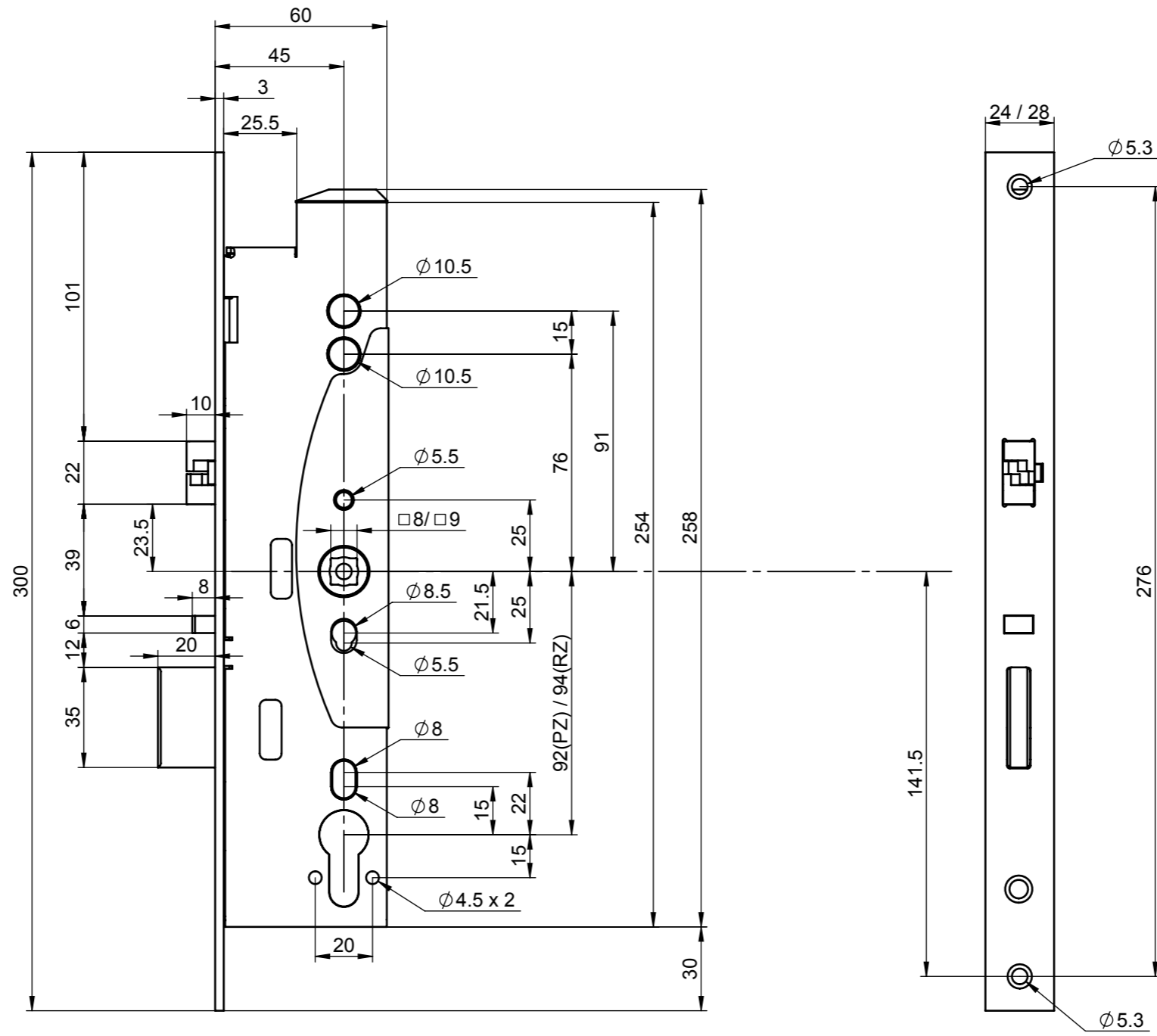


| | | | | | | |
|--|---------|---------------|---------------------------|--------------|-----------------------------------|--|
| Surface: 456466 | | Material: | | | General tolerance: ISO 2768-mH | |
| Volume: | Weight: | Surface area: | created: 11.08.2014 JK | designed by: | changed by: | Scale: 1:2 (A3) |
|  An ASSA ABLOY Group brand | | | ABLOY EL460 / 40 | | | Projection:  |
| | | | Alternate ID | | | |

Part/assy:

Configuration:Default

This document is our property and shall not without our permission be altered, copied, used for manufacturing or communicated to any other person or company.



| | | | | | | | | |
|---|---------|---------------|---------------------------|--------------|-------------------|-----------------------------------|-----------------|--|
| Surface: 456466 | | | Material: | | | General tolerance: ISO 2768-mH | | |
| Volume: | Weight: | Surface area: | created: 11.08.2014 JK | designed by: | changed by: | Scale: 1:2 (A3) | Projection: | |
| Abloy Oy An ASSA ABLOY Group brand | | | ABLOY EL460 / 45 | | | Alternate ID | | |
| | | | Document ID | | Rev.: 1 | | | |

Part/assy:

Configuration:Default