

### MODEL

**99-2 AF**

### DIMENSIONS

High: 66 mm

Width: 16 mm

Depth: 25,50 mm

Jaw adjust range: +2 - 1 mm

Jaw depth: 4,60 mm

### TECHNICAL FEATURES

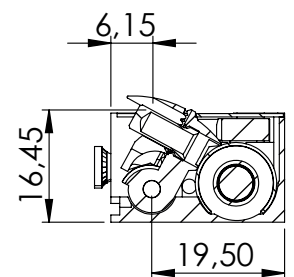
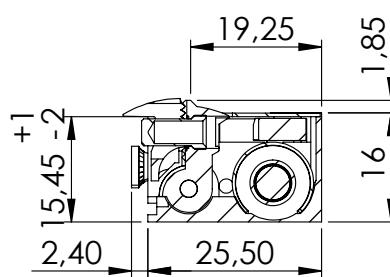
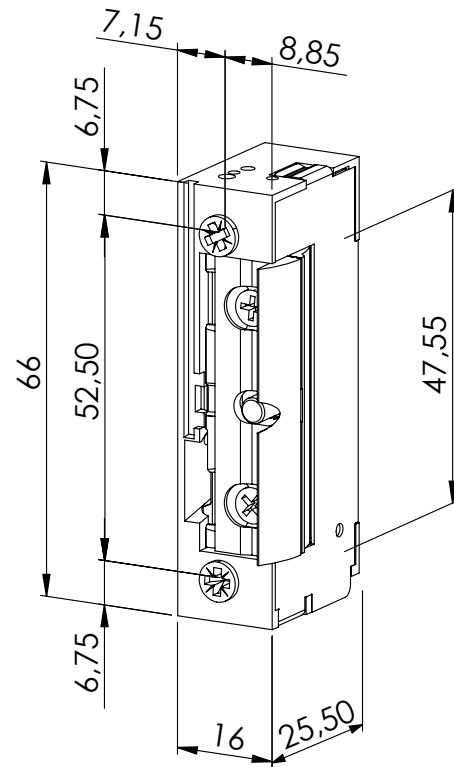
Cycles tested with electrical excitation: 400.00

Temperature working range: -15°C to +40°C

Holding force: 3.230 N / 330 Kg-f

Diode or varistor: Optional

Microswitch: No



### ELECTRICAL FEATURES

	10-24 V	6-12 V	8-12 V	24 V	24 VDC 424	12 VDC 512	24 VDC 524
<b>Coil resistance (Ω)</b>	38	8	17	58	132	51	160
<b>AC Consumption (mA)</b>	210 (10V) 270 (12V) 530 (24V)	600 (6V) 1200 (12V)	370 (8V) 560 (12V)	330			
<b>DC Consumption (mA)</b>	260 (10V) 315 (12V) 630 (24V)	750 (6V) 1500 (12V)	470 (8V) 700 (12V)		180 VDC	235 VDC	150 VDC
<b>Kept current working range on DC (V)</b>	11-13						
<b>Max. Opening preload on AC (N)</b>	250 (12V) 360 (24V)						
<b>Max. Opening preload on DC (N)</b>	55 (12V) 165 (24V)						