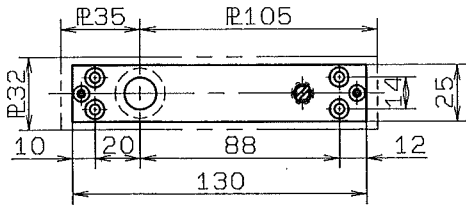


RYOBI FLOOR HINGES INSTALLATION GUIDE

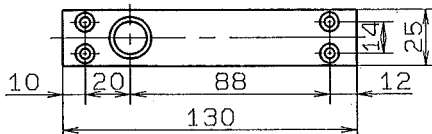
OPENING SYSTEM OF DOOR	MODEL NUMBER	HOLD OPEN ANGLE	DOOR SIZE	
			WIDTH X HEIGHT (mm)	WEIGHT (Kg)
DOUBLE ACTION CENTER HUNG DOORS	S401N	90° HOLD	900X2100	80
	401N	NON-HOLD		
MAXIMUM OPENING ANGLE 108°	S402N	90° HOLD	950X2100	120
	402N	NON-HOLD		

Notes: Dimension is indicated in mm

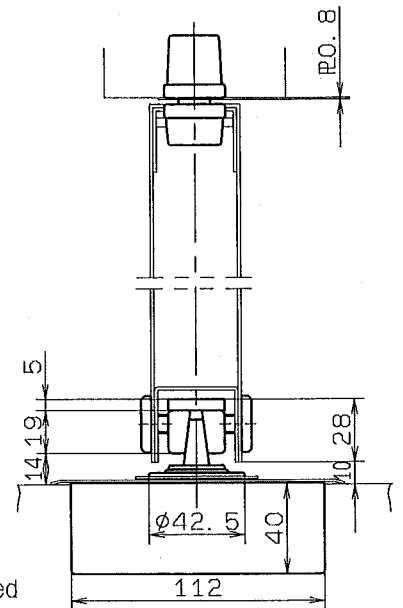
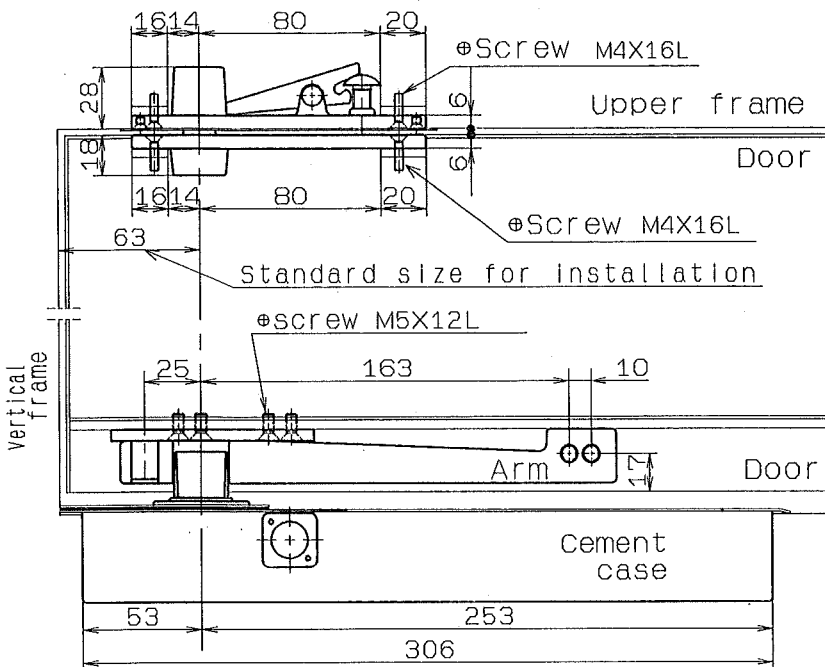
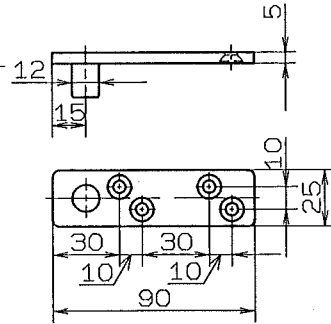
Top pivot(upper frame side)



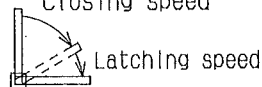
Top pivot(door side)



Arm plate



Closing speed



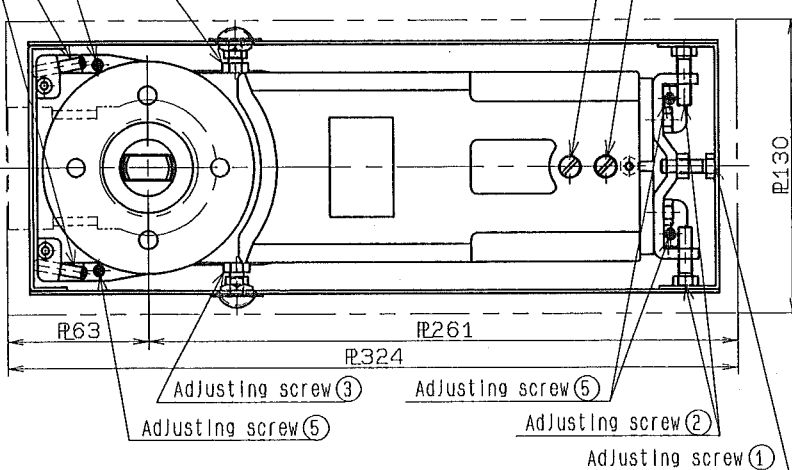
Adjusting screw ④

Adjusting screw ⑤

Adjusting screw ③

Speed adjustment valve (closing speed)

Speed adjustment valve (latching speed)



ADJUSTMENT OF DOOR POSITION AND DOOR CLOSING SPEED.

1. Take off floor plate.
2. Loosen adjusting screws ①②③④.
3. Adjust space between floor and door by adjusting screw ⑤.
4. Adjust space between door and vertical frame by adjusting screws ①④.
5. Adjust door closing position by adjusting screw ②.
6. Adjust center position by adjusting screw ③.
7. Tighten adjusting screws ①②③④.
8. Adjust closing and latching speed by turning closing speed adjustment valve to clockwise for slower speed or counter-clockwise for faster speed.