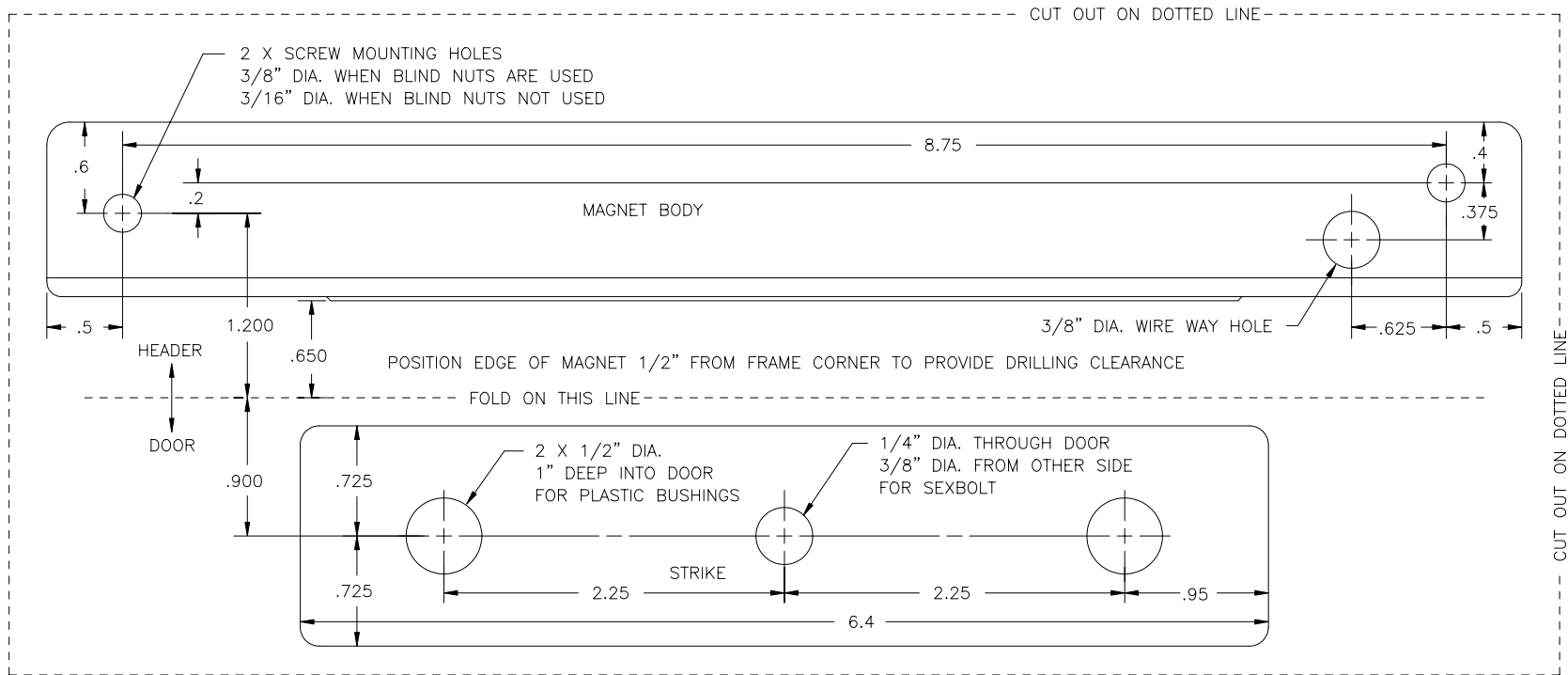


TEMPLATE FOR 34 SERIES MAGNALOCK (STANDARD MOUNT)

!!! WARNING: DO NOT DRILL INTO MAGNET OR STRIKE FOR ANY REASON !!!

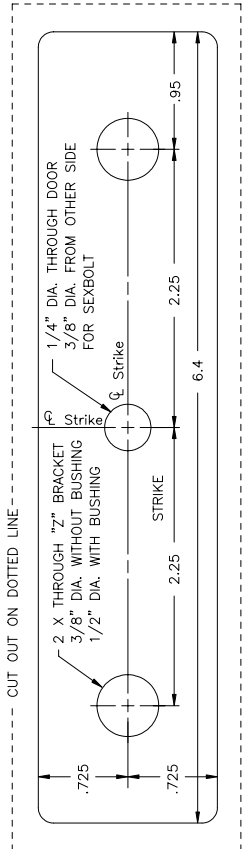
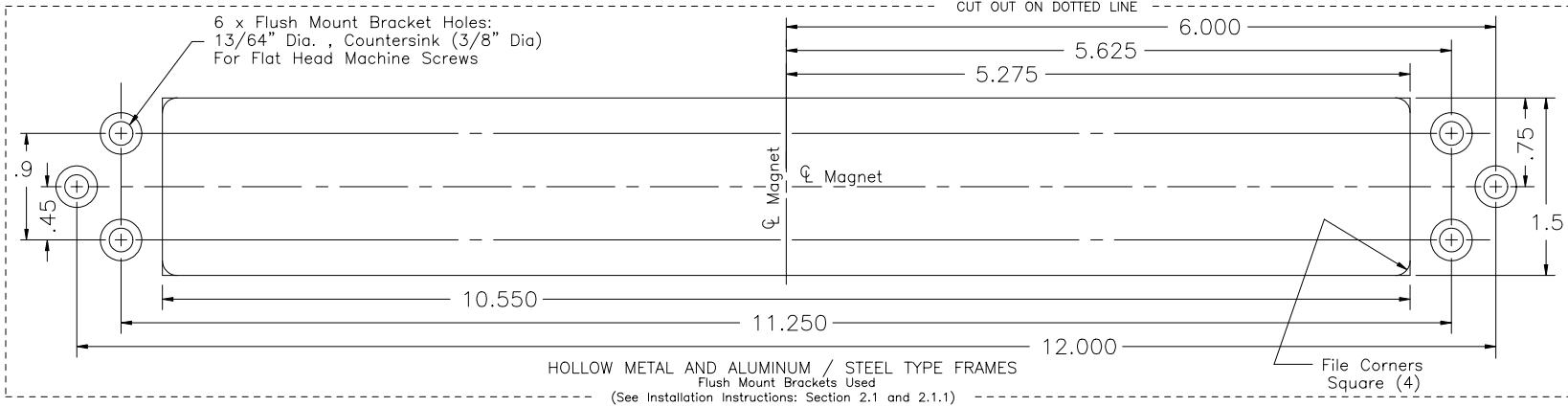
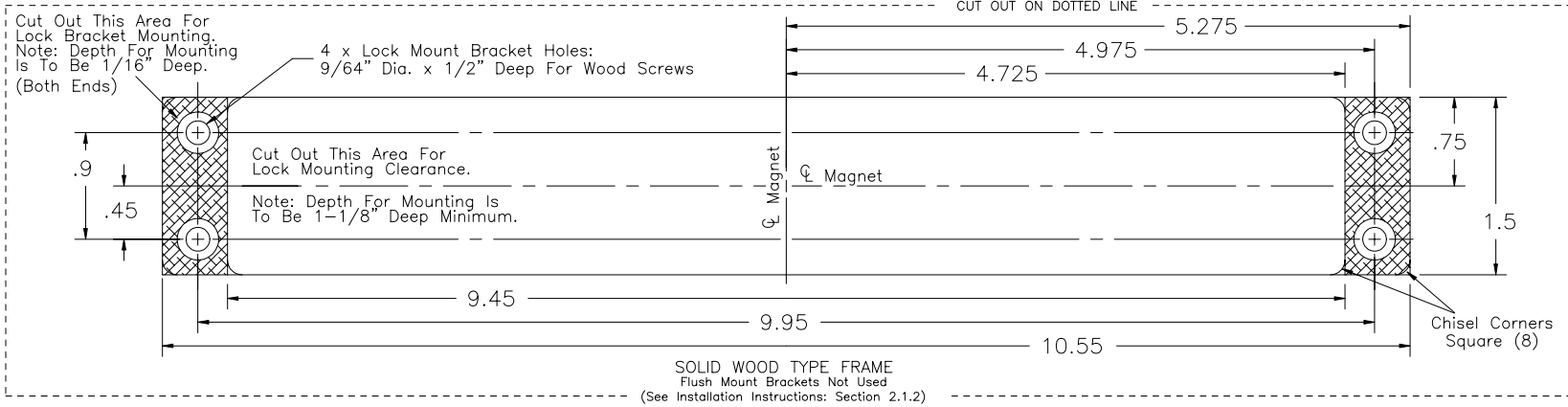
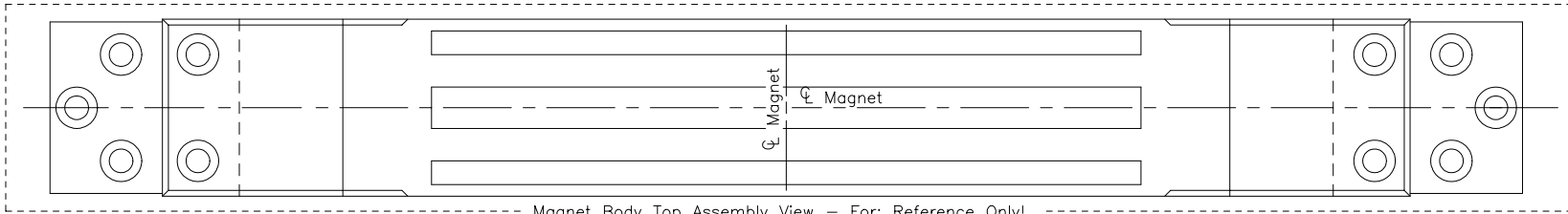
1. See installation instructions for full information and troubleshooting.
2. The relationship between the two magnet mounting holes is critical. Do not let your markings or drilling wander.
3. Do not overdrill the diameter of the 3/8" magnet mounting holes or the blind nuts will not seat.
4. Make sure the blind nuts are collapsed.
5. Do not over tighten the magnet mounting screws.
6. Be careful not to scrape the magnet cable when pushing it back into the frame.
7. The two rubber washers stack one on top of the other and mount in between the strike and the door around the center strike mounting screw. Do not place the washers on the roll pins.
8. When inserting the sexbolt from the outside of the door, do not insert it in fully until you have started the mating screw from the other side. This will insure that the sexbolt will go in straight.
9. Do not over tighten the strike mounting screw into the sex bolt.
10. Make sure that the strike plate floats and pivots around the center mounting screw. This compensates for door misalignment. If the strike is mounted rigidly, the Magnalock will not hold.
11. Roll pin plastic bushings may be omitted if the lock is not a Senstat ("SC") version. If the bushings are not used, drill 3/8" holes for the strike roll pins.
12. DO NOT PHOTOCOPY TEMPLATE (dimensions will change).



PN# 500-20230 Rev. B

SECURITRON

Template For M34R Mortise Series Magnalock

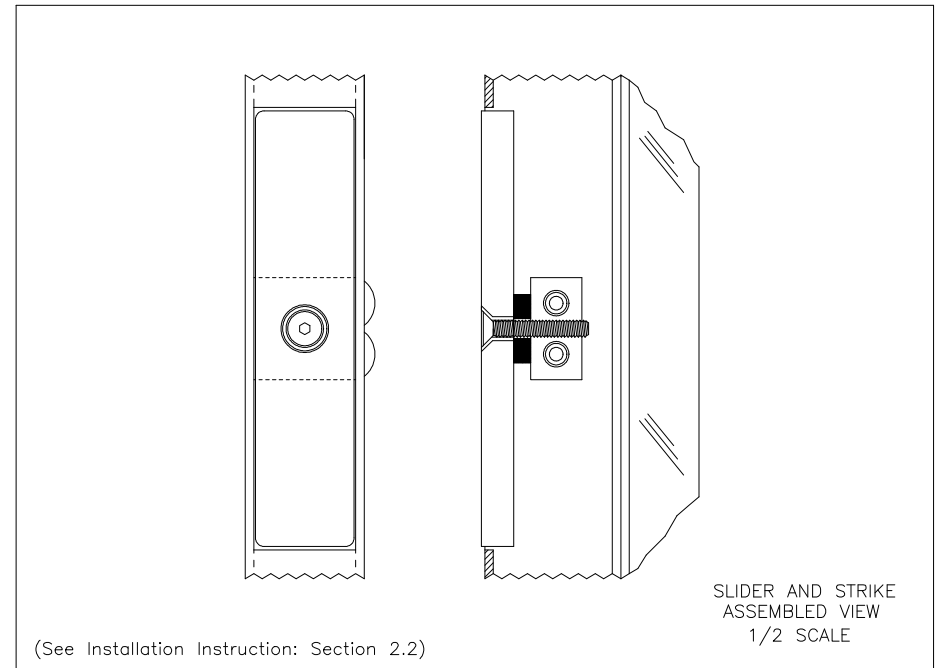
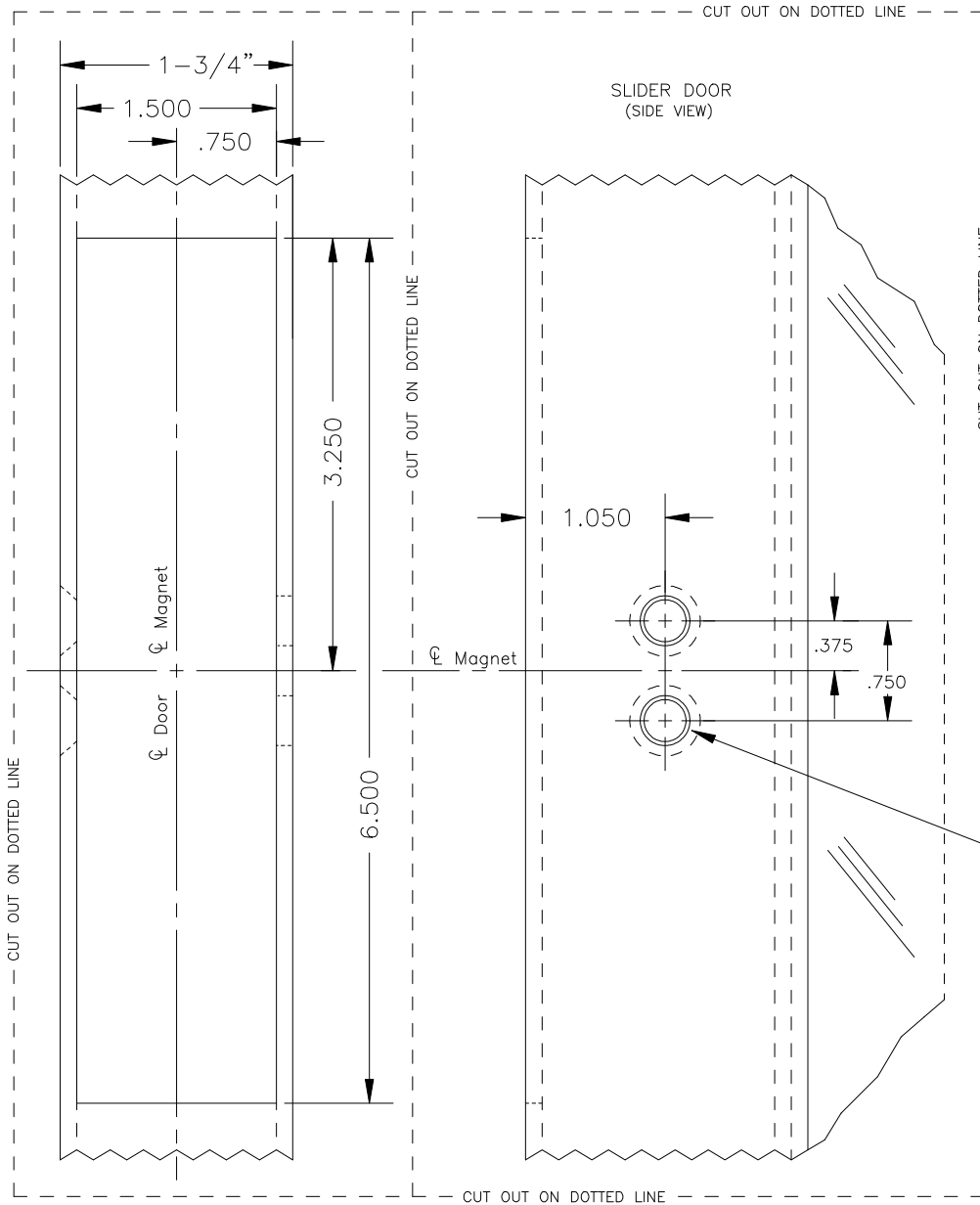


PN# 500-20200 Rev.A

DO NOT PHOTOCOPY TEMPLATE (dimensions will change)

SECURITRON
(500-20200-1A)

Template For M34R Mortise Series Magnalock Recessed Strike (Slider Door)



- 1) Drill two (2) 5/16" diameter holes thru frame of the door.
- 2) Holes for sex bolt side, re-drill to 3/8" diameter.
- 3) Holes for mounting screw side, countersink to 17/32" diameter maximum for flat head screw flush fit.
- 4) Insert the strike mounting block into the frame of the door while lining up the holes for the sex bolts.
- 5) Insert the sex bolts into holes. Do not force the sex bolts into the door holes and mounting block.
- 6) Insert the screws into the sex bolts until snug.
- 7) While tightening the screws, lightly tap on the sex bolts to assist proper insertion and alignment.
- 8) When the sex bolts are fully set, the door is now ready for the strike installation.