



DC630G Technical Datasheet

ASSA ABLOY
Opening Solutions

Vertical gate closer with 3D Cam-Motion® technology
for easy gate opening with minimal user effort

Experience a safer
and more open world

DC630G

Vertical gate closer with 3D Cam-Motion® technology and guide rail



DC630 G, silver, EV1

Cam-Motion® technology creates rapidly decreasing opening force while closing tightly

With its minimalist and slim design, the DC630G is mounted vertically behind your gate. Unique 3D Cam-Motion technology allows easy opening with minimal user effort. It ensures comfortable operation and barrier-free access whilst maintaining a closing force to ensure secure closing.

- Suitable for non-paneled garden and pedestrian gates with or without protruding bars
- For single action gates up to 1300 mm width
- Barrier-free according to CEN/TR 15894
- Supplied with guide rail, mounting screws and rivets

Colours

- Silver, EV1
- Matt Black, similar to RAL 9004
- Customized colours on request

Features

- Can be used in four installation types: pillar or wall mounting on push and pull side of the gate
- Easy to install – no welding required
- Closing and latch speeds can be raised and lowered independently
- Durable, side-facing metal valves make adjustments easy and reliable
- Consistent performance in a wide range of indoor/outdoor temperatures
- Pinch free guide rail adds safety

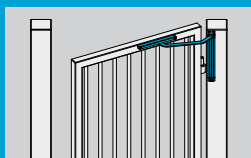
Product variants

- **DC630G-R** right-handed gate closer
- **DC630G-L** left-handed gate closer

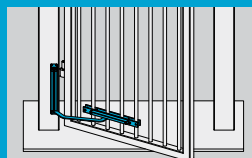
Accessories

- **AC632** mounting plates for rack and protruding bars guide rail installation
- **AC633** mounting bracket kit for wall and push side body installation
- **A152** mechanical hold-open device with adjustable hold-open force, keeps gates open at an angle between 80° and 130°
- **A153** mechanical opening damper, continuously adjustable up to an opening angle of max. 130°

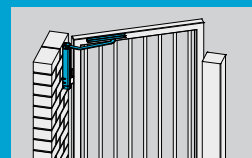
Four mounting options with one product



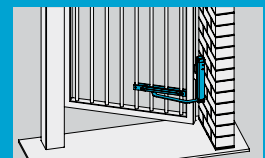
Pillar mounting on pull side, standard



Pillar mounting on pull side, upside down



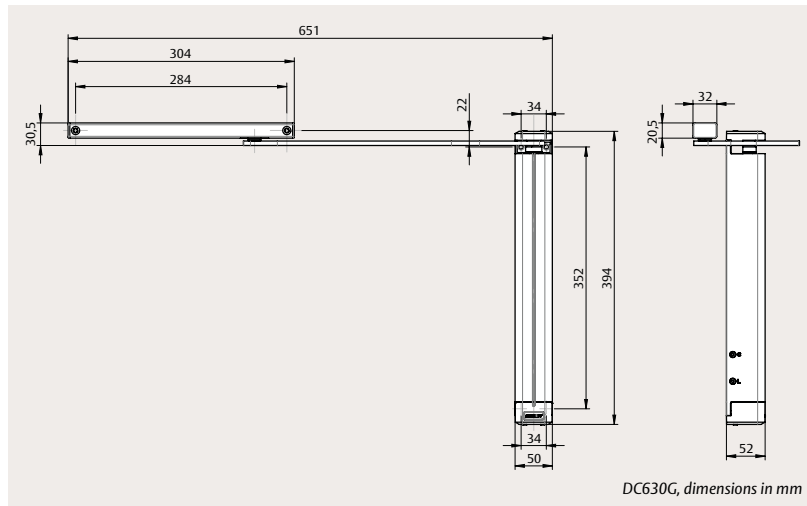
Wall mounting on push side, standard



Wall mounting on push side, upside down

DC630G

Technical attributes and certification



Technical attributes

Maximum gate weight	150 kg
Maximum gate width	1300 mm
Closing speed (C)	Variable between 130° and 20°
Latch speed (L)	Variable between 20° and 0°
Gate system	Single action, with or without protruding bars
Handing	Left- / right-handed
Mounting methods	Pillar or wall mounting Pull or push side
Adjustable pretension	Yes
Corrosion resistance	Yes
Dimensions (H x D x L)	50 x 52 x 394 mm



Visit assaabloy.com to download all relevant product literature



Certification and testing

Barrier-free according to	CEN/TR 15894
Third-party verified EPD	ISO 14025, EN 15804

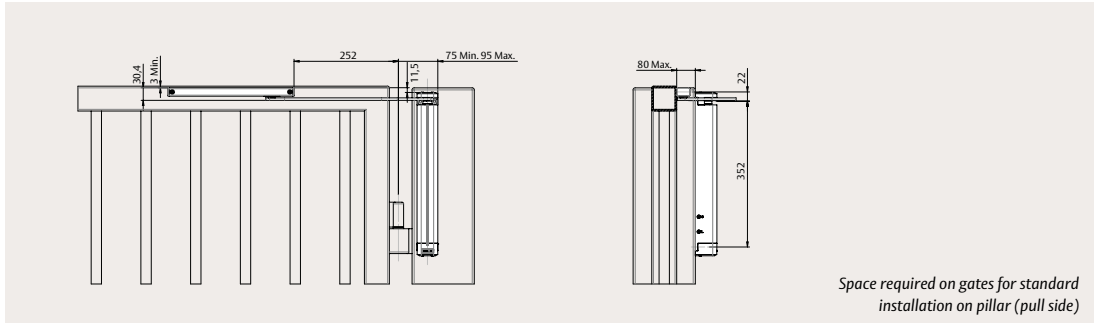


DC630G

Mounting dimensions



Scan QR code to watch installation video

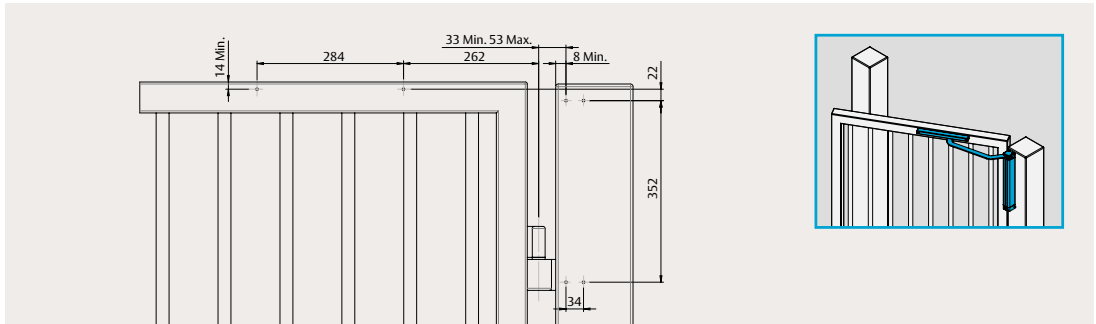


Space required on gates for standard installation on pillar (pull side)

Pillar mounting on pull side

on pull side

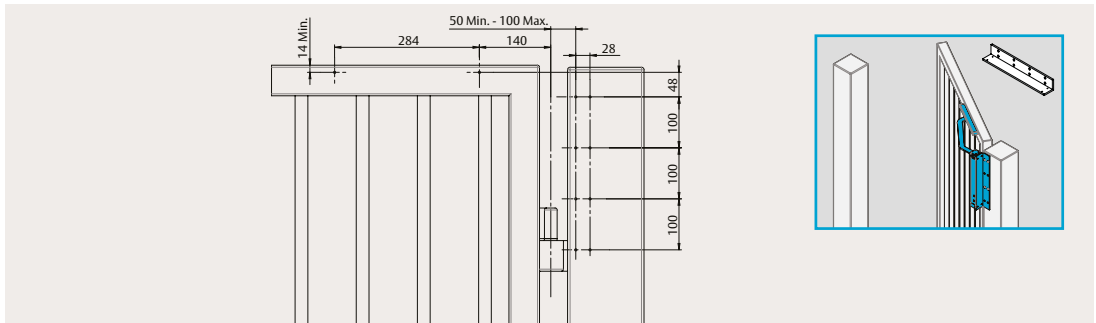
The drawing illustrates installation on right-handed gates with DC630G-R. For installation on left-handed gates with DC630G-L, it is the reverse.



Pillar mounting on push side, with AC633 mounting bracket

on push side, with AC633 mounting bracket

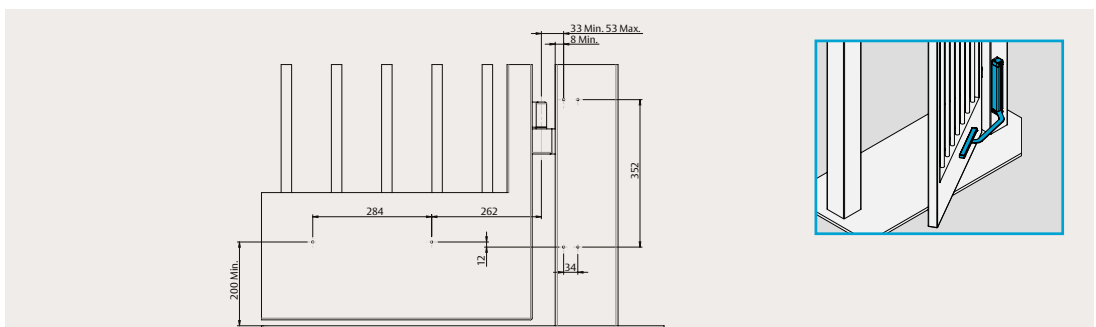
The drawing illustrates installation on left-handed gates with DC630G-R. For installation on right-handed gates with DC630G-L, it is the reverse.



Reverse pillar mounting on pull side

on pull side

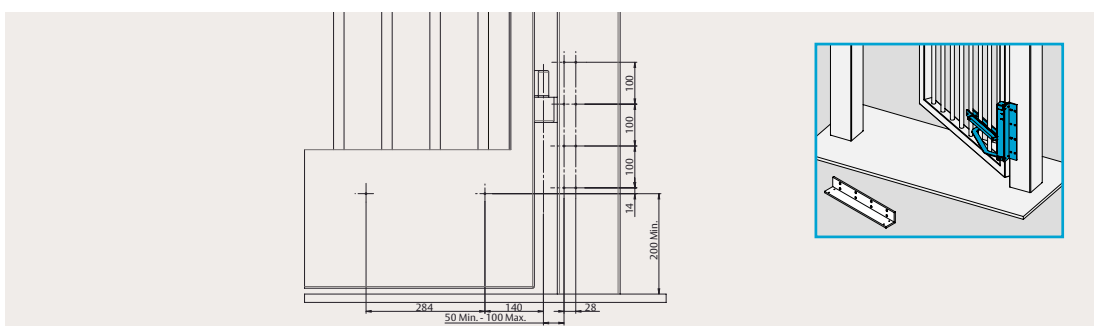
The drawing illustrates installation on right-handed gates with DC630G-L. For installation on left-handed gates with DC630G-R, it is the reverse.



Reverse pillar mounting on push side, with AC633 mounting bracket

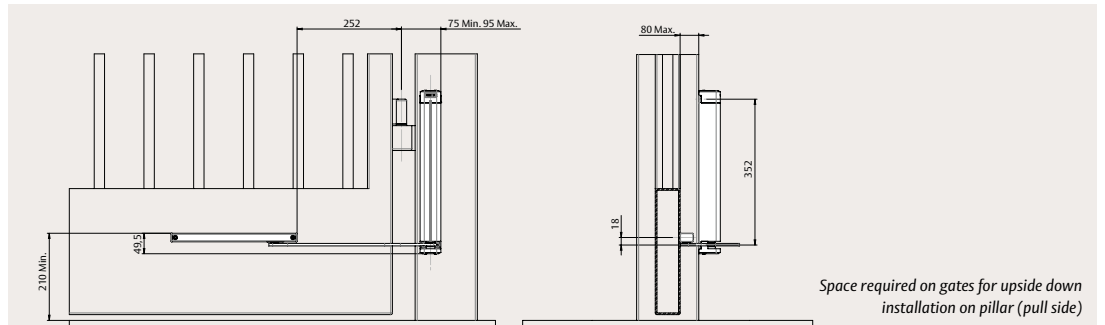
on push side, with AC633 mounting bracket

The drawing illustrates installation on left-handed gates with DC630G-R. For installation on right-handed gates with DC630G-L, it is the reverse.



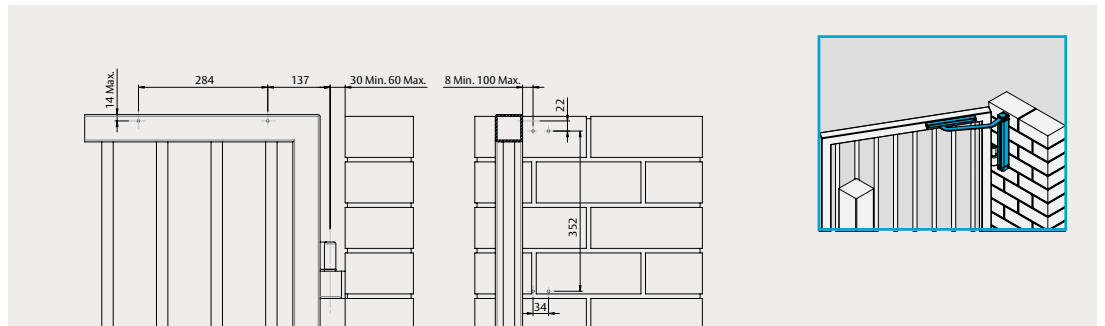
DC630G

Mounting dimensions and accessories



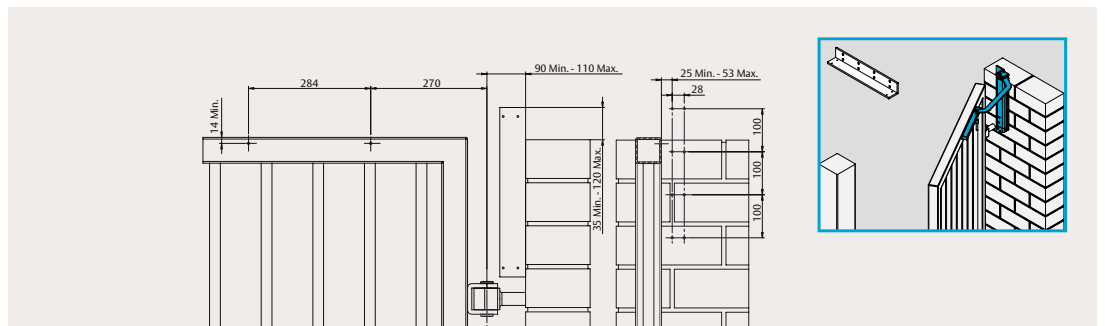
Wall mounting on push side

The drawing illustrates installation on left-handed gates with DC630G-L. For installation on right-handed gates with DC630G-R, it is the reverse.



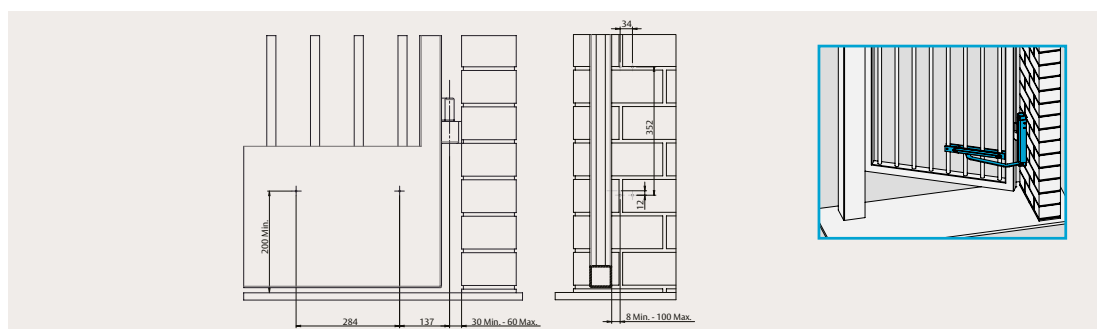
Wall mounting on pull side, with AC633 mounting bracket

The drawing illustrates installation on right-handed gates with DC630G-L. For installation on left-handed gates with DC630G-R, it is the reverse.



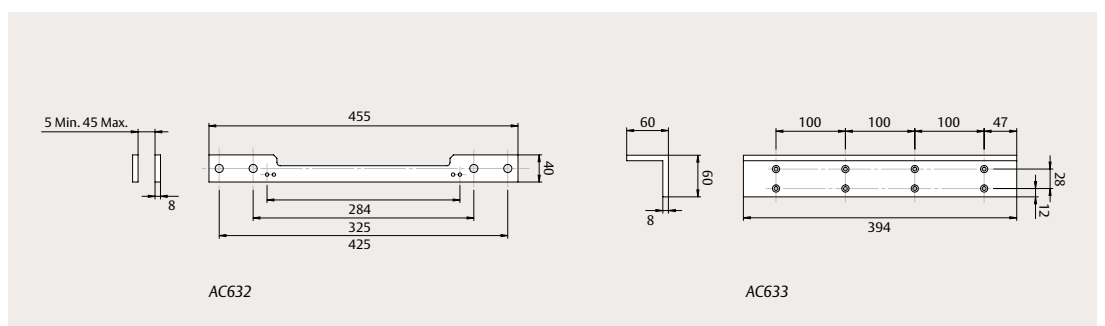
Reverse wall mounting on push side

The drawing illustrates installation on right-handed gates with DC630G-R. For installation on left-handed gates with DC630G-L, it is the reverse.



Accessories

AC632 mounting plate and AC633 mounting bracket



DC630G

Order information



Gate closers

DC630G-L, left-handed, silver, EV1	DC630G-L---EV1-
DC630G-R, right-handed, silver, EV1	DC630G-R---EV1-
DC630G-L, left-handed, black, similar to RAL 9004	DC630G-L---9004
DC630G-R, right-handed, black, similar to RAL 9004	DC630G-R---9004

Accessories

Mounting plate AC632 for guide rail, silver, EV1	DCAC632----EV1-
Mounting plate AC632 for guide rail, black, similar to RAL 9004	DCAC632----9004
Mounting bracket kit AC633 for body, silver, EV1	DCAC633----EV1-
Mounting bracket kit AC633 for body, black, similar to RAL 9004	DCAC633----9004
Mechanical hold-open device A152	DCA152-----
Mechanical opening damper A153	DCA153-----

DC630G, silver



DC630G, black



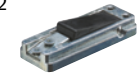
AC632



AC633



A152



A153



The ASSA ABLOY Group is the global leader in access solutions. Every day, we help billions of people experience a more open world.

ASSA ABLOY Opening Solutions leads the development within door openings and products for access solutions in homes, businesses and institutions. Our offering includes doors, door and window hardware, locks, access control and service.

ASSA ABLOY
Opening Solutions

ASSA ABLOY Opening Solutions EMEA
Dukes Court
Dukes Street
Woking
GU21 5BH
United Kingdom
assaabloy.com