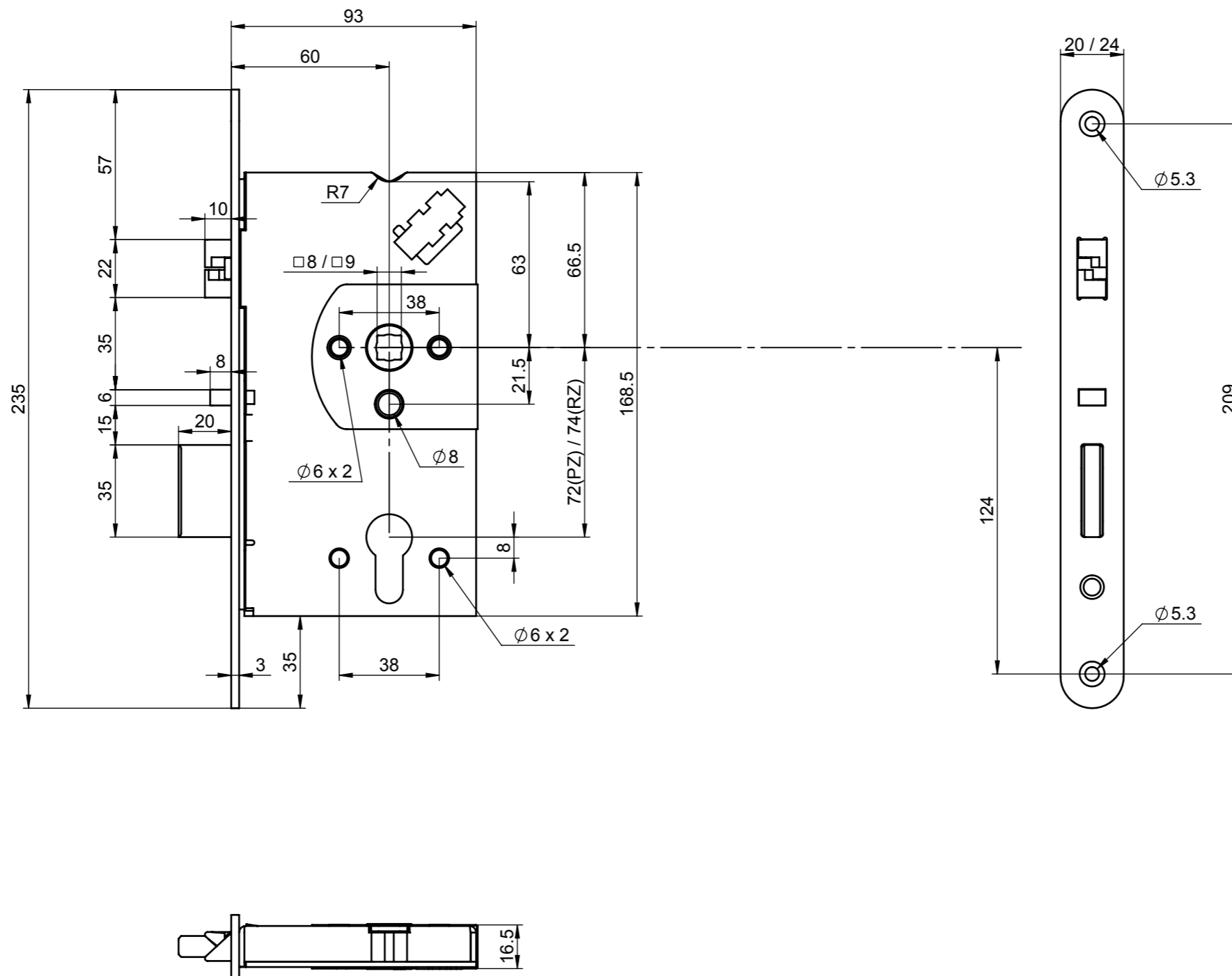

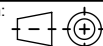


This document is our property and shall not without our permission be altered, copied, used for manufacturing or communicated to any other person or company.



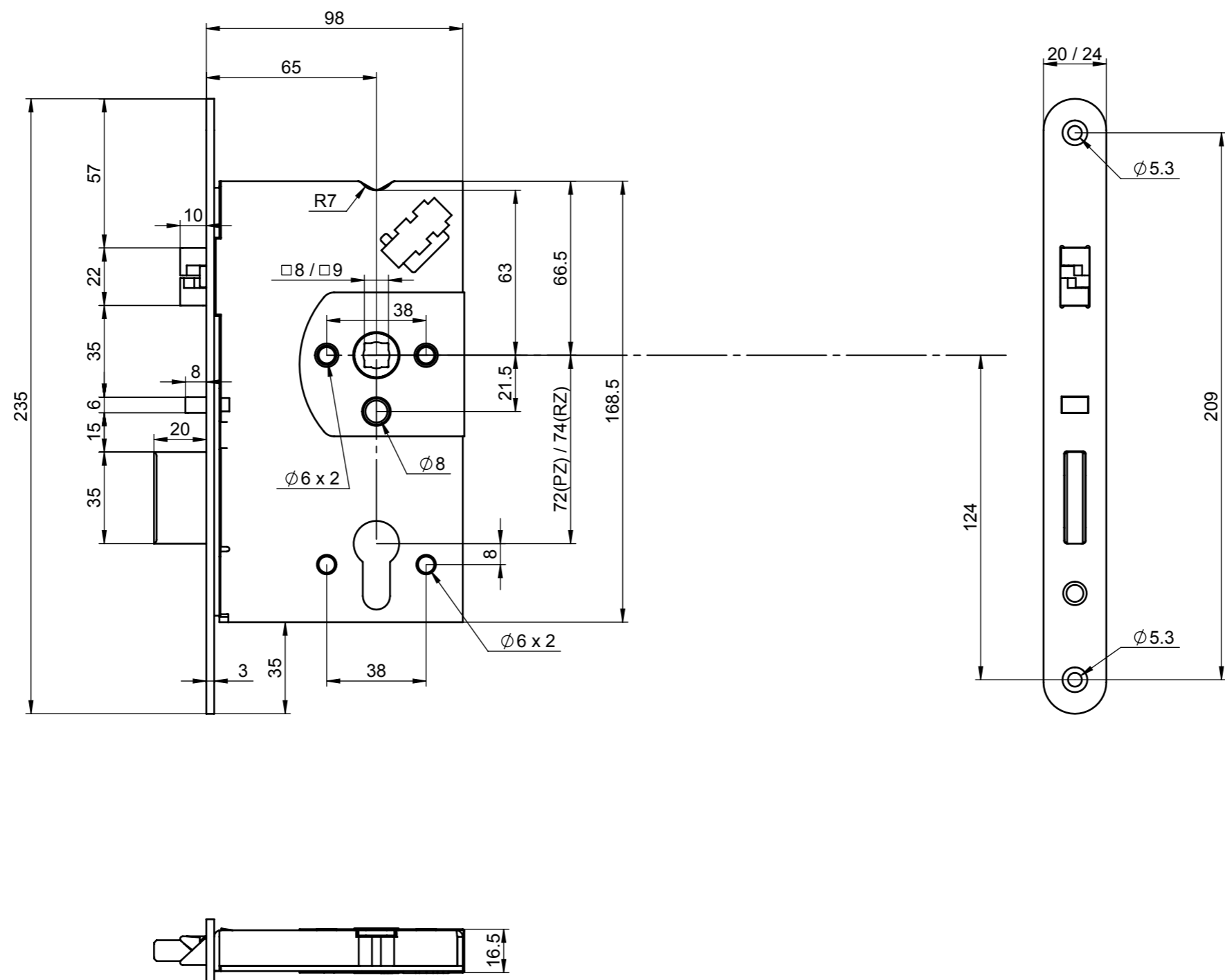
Surface: 456466		Material:			General tolerance: ISO 2768-mH	
Volume:	Weight:	Surface area:	created: 15.12.2014 JK	designed by:	changed by:	Scale: 1:2 (A3)
 ABLOY Abloy Oy An ASSA ABLOY Group brand			ABLOY EL561 / 60		Projection: 	
			Document ID		Rev.: 1	


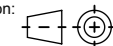
Part/assy:

Configuration:Default

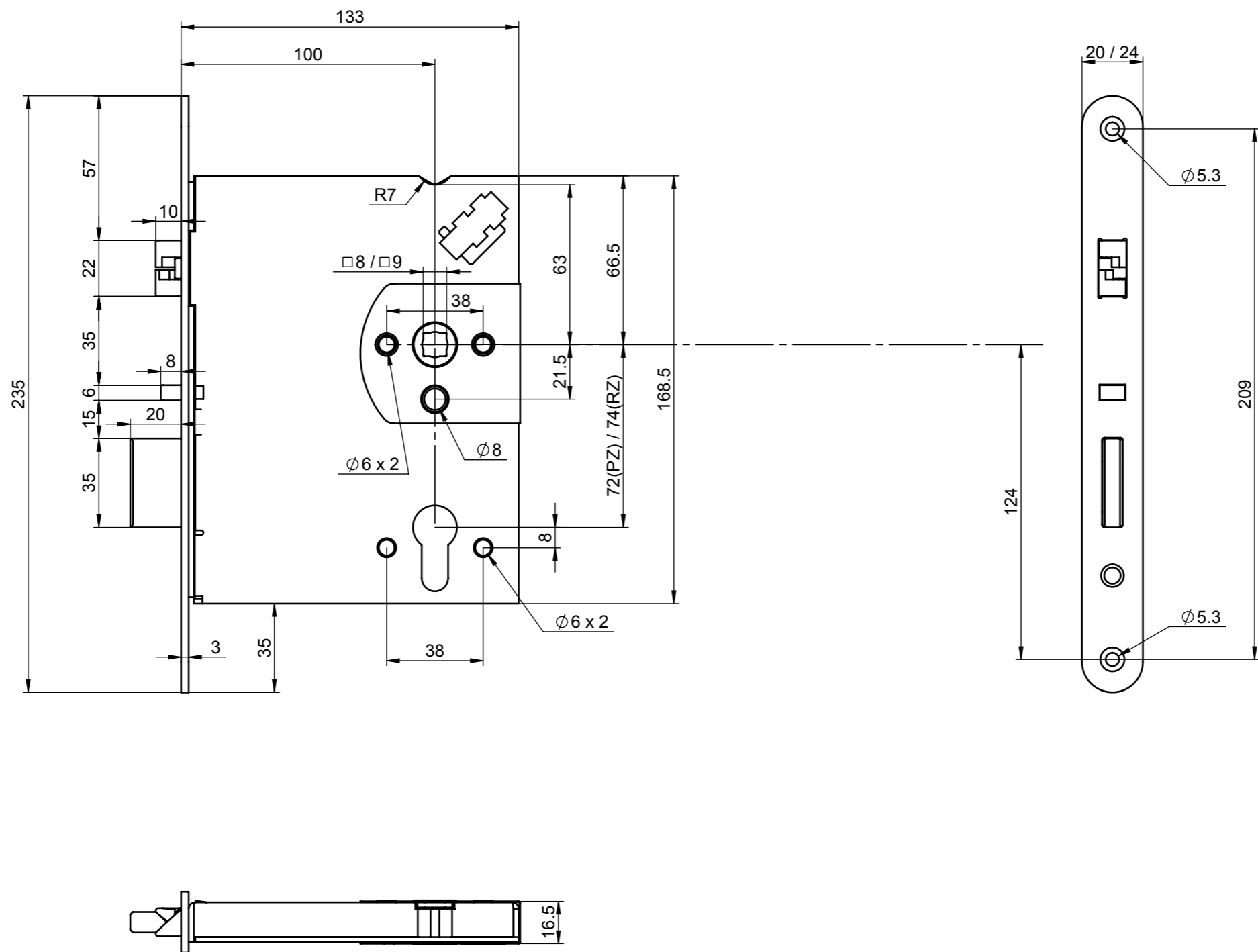
SHEET 1 OF 1


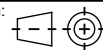
This document is our property and shall not without our permission be altered, copied, used for manufacturing or communicated to any other person or company.



Surface: 456466		Material:		General tolerance: ISO 2768-mH	
Volume:	Weight:	Surface area:	created: 15.12.2014 JK	designed by:	changed by:
 ABLOY Abloy Oy An ASSA ABLOY Group brand			ABLOY EL561 / 65		Scale: 1:2 (A3)
			Projection: 		Alternate ID
Document ID				Rev.: 1	

This document is our property and shall not without our permission be altered, copied, used for manufacturing or communicated to any other person or company.



Surface: 456466		Material:			General tolerance: ISO 2768-mH	
Volume:	Weight:	Surface area:	created: 15.12.2014 JK	designed by:	changed by:	Scale: 1:2 (A3)
 ABLOY Abloy Oy An ASSA ABLOY Group brand			ABLOY EL561 / 100		Projection: 	
			Document ID		Rev.: 1	

Part/assy:

Configuration:Default

SHEET 1 OF 1