



**LOCKOUT / TAGOUT
PRODUCTS**

CATALOGUE

KEY SYSTEM

KEYED DIFFERENT



KD
N*1 KD
N*2 KD
N*3

Different keys: Each lock has its own key to open it.

The key n*1 opens and locks only the padlock n*1.

The key n*2 opens and locks only the padlock n*2.

KEYED ALIKE



KA
N*1 KA
N*2 KA
N*3

Matching keys: All locks are the same. All keys can open all locks.

The key n*1 opens the padlock n*1 and also the padlock n*2, n*3.

It is not the same as a master key.

MASTER KEYED



KD
N*1 KD
N*2 KD
N*3

MK
N*1

MK- Master Key:

A master key opens a system of different padlock keys.

ULTRA LIGHT WEIGHT SAFETY LOCKOUT PADLOCK

- Regular Shackle

The OSHA standard for The Control of Hazardous Energy (Lockout/Tagout): Title 29 (CFR) Part 1910.147

Lotomaster safety padlocks are designed specifically for use in Lockout/Tagout applications. Compact yet rugged with tough, durable and Ultra Lightweight lock body makes it ideal for use in harsh industrial environments. Available in different shackle lengths to suit various lockout applications.

Features

- > Compliance with OSHA “One employee, one lock, one key” directive to ensure duplicate keys are not issued
- > Permanent write-on labels for individual markings
- > Key retaining design ensure padlock is not left unlocked
- > 6-pin precision machined keys for extra security
- > Regular Shackle length of 38mm. Different shackle lengths can be customised as per requirements
- > Padlocks also available with Stainless Steel and Brass shackles for protection against harsh corrosive / offshore environments
- > Ribbed padlock body to improve handling whilst wearing gloves



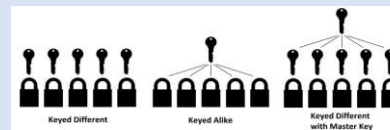
Customised your system with choice of 10 bright colours of Red, Yellow, Blue, green, Orange, Violet, Black, White, Brown & Grey

PRODUCT DESCRIPTION	SHACKLE LENGTH	PRODUCT CODE
Ultra Light Weight Safety Lockout Padlock – Regular Shackle	40mm	LM-ULPP-RS-KD

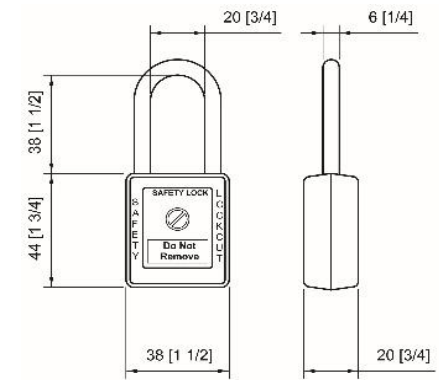


IDEAL APPLICATION:

- Mining
- Manufacturing
- Electrical
- Mineral Processing
- Confined Spaces
- Food and Beverage



Available in keyed different, keyed alike and with master keyed option to best suit your Lockout/Tagout program. Please check with your local dealer for more details



ULTRA LIGHT WEIGHT SAFETY LOCKOUT PADLOCK

- Long Shackle

The OSHA standard for The Control of Hazardous Energy (Lockout/Tagout): Title 29 (CFR) Part 1910.147

Lotomaster offers safety padlocks with Long Shackle which has a shackle length of 75mm since workers sometimes need different shackle lengths to suit different Lockout situations.

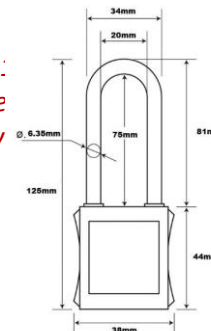
Optimal Safety Padlock designed exclusively for Lockout/Tagout. This Safety Padlock is durable, standardised, substantial and identifiable for OSHA 1910.147 compliance. Stands up to chemicals, temperatures extremes and is UV stable.

Features

- Compliance with OSHA “One employee, one lock, one key” directive to ensure duplicate keys are not issued
- Permanent write-on labels for individual markings
- Key retaining design ensure padlock is not left unlocked
- 6-pin precision machined keys for extra security
- Long Shackle length of 75mm. Different shackle lengths can be customised as per requirements
- Padlocks also available with Stainless Steel and Brass shackles for protection against harsh corrosive / offshore environments
- Ribbed padlock body to improve handling whilst wearing gloves



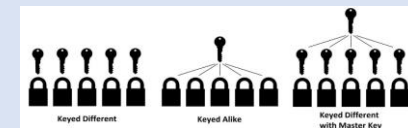
Customised your system with choice of : bright colours of Red, Yellow, Blue, green Orange, Violet, Black, White, Brown & Grey



PRODUCT DESCRIPTION	SHACKLE LENGTH	PRODUCT CODE
Ultra Light Weight Safety Lockout Padlock – Long Shackle	75mm	LM-ULPP-LS-KD

ONE EMPLOYEE, ONE LOCK, ONE KEY

It is important that each employee at a facility has a padlock key that is unique to them. Key charting is critical to prevent duplicate keys from entering the workplace and jeopardizing your Lockout/Tagout program



Available in keyed different, keyed alike and with master keyed option to best suit your Lockout/Tagout program. Please check with your local dealer for more details

Lotomaster De-Electric safety Lockout padlocks come with a plastic shackle which helps prevent electrocution and arc flashing. It also prevents electrical current to pass from the shackle to the body. These padlocks are specifically designed for use in electrical lockouts and the ultra lightweight body is ideal for locking out MCB's and other plastic switches which may get damaged if heavy padlocks are used to lockout.

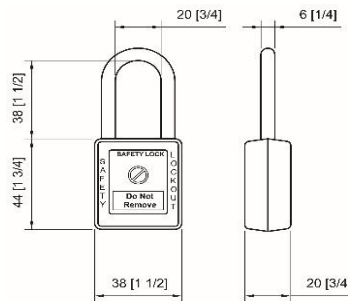


**NON-CONDUCTIVE
NON-MAGNETIC
NON-SPARKING SAFETY PADLOCK**

-All components are plastic, copper or brass



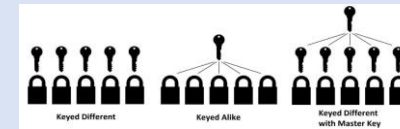
Customised your system with choice of 10 bright colours of Red, Yellow, Blue, green, Orange, Violet, Black, White, Brown & Grey



PRODUCT DESCRIPTION	SHACKLE LENGTH	PRODUCT CODE
De-electric Safety Lockout Padlock	38mm	LM-DEPL

Features

- Plastic shackle helps in preventing electrocution and arc flashing
- Compliance with OSHA “One employee, one lock,one key” directive to ensure duplicate keys are not issued
- Permanent write-on labels for individual markings
- Key retaining design ensure padlock is not left unlocked
- 6-pin precision machined keys for extra security
- Standard Shackle length of 38mm.
- Padlocks also available with Stainless Steel and Brass shackles for protection against harsh corrosive / offshore environments



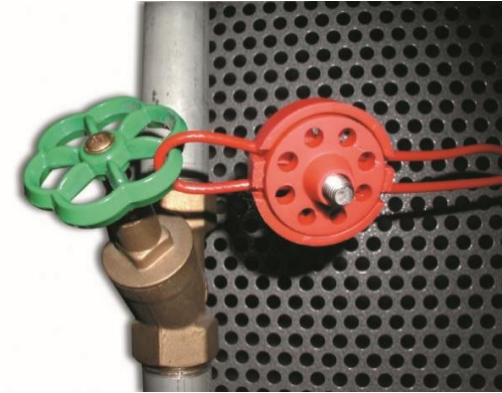
Available in keyed different, keyed alike and with master keyed option to best suit your Lockout/Tagout program. Please check with your local dealer for more details



Safety Lockout hasps allow multiple padlocks to be used when isolating one energy source. The lockout hasp is placed through the isolating point and each person carrying out maintenance or service work attaches and locks in place their own unique individually keyed padlock through the lockout hasp. This ensures each worker's safety as the energy cannot be restored until the work is finished and all padlocks have been removed.



PRODUCT DESCRIPTION	PRODUCT CODE
Lockout Hasp – 25mm Jaw Size	LM-H-25
Lockout Hasp – 38mm Jaw Size	LM-H-38
Lockout Hasp – 38mm Jaw Size, 7holes	LM-H-38-7H
De-electric Lockout Hasp – 6 Holes	LM-DH-6
De-electric Lockout Hasp – 3 Holes	LM-DH-3
Lockout Hasp, 25mm Jaw Size, 24 Holes	LM-H-24P
Aluminium Hasp - 25mm Jaw Size	LM-ALU-H-25
Aluminium Hasp - 38mm Jaw Size	LM-ALU-H-38
De-electric Hasp - Scorpio Type, 4 Holes	LM-DH-SH-4
Lockout Hasp – Scorpio type, Double Sided Jaw	LM-SH-DS6



Universal Cable Lockout is designed as a cost-effective solution to lockout any type of valve in aggressive environments. It offers a reliable alternative to expensive or more difficult to use products such as chains and security seals.

Features

- Cable lockouts are incredibly versatile making them perfect for all of your unusual energy isolating devices that are difficult to lock out
- Compact, lightweight body is made of rugged engineering plastic giving them superior chemical, corrosion and temperature resistance properties
- Sheathed metal cable is 3/16" diameter including vinyl coating
- 6 lock holes in hasp accommodate most lock shackles and hasps
- Supplied with a standard length of 2 metres
- Additional cable length also available on request

PRODUCT DESCRIPTION	PRODUCT CODE
Universal Cable Lockout	LM-U-MCL





Standard Cable Lockout is made completely from PVC and is spark resistant. Ergonomic design makes it a "cinch" to tighten cable - hold device in one hand and cinch tight with the other. Built-in cable loop keeps cable neatly coiled when stored and prevents it from dangling loose when device is being used.

Features

- Cable lockouts are incredibly versatile making them perfect for all of your unusual energy isolating devices that are difficult to lock out
- Compact, lightweight body is made of rugged impact modified glass filled nylon giving them superior chemical, corrosion and
- Sheathed metal cable is 3/16" diameter including vinyl coating
 - 6 lock holes in handle accommodate most lock shackles and hasps
- Supplied with standard length of 1 metre
 - Additional cable length also available on request



PRODUCT DESCRIPTION	PRODUCT CODE
Standard Cable Lockout	LM-S-MCL

PREMIER CABLE LOCKOUT

The OSHA standard for The Control of Hazardous Energy (Lockout/Tagout): Title 29 (CFR) Part 1910.147

Premier Cable Lockout is uniquely designed and is made of moulded PVC with solid steel insert, supplied with vinyl coated steel cable with a standard length of 2 meters.

PRODUCT DESCRIPTION	PRODUCT CODE
Premier Cable Lockout	LM-P-MCL



Features

- Cable lockouts are incredibly versatile making them perfect for all of your unusual energy isolating devices that are difficult to lock out
- Compact, lightweight body is made of rugged engineering plastic giving them superior chemical, corrosion and temperature resistance properties
- Sheathed metal cable is 3/16" diameter including vinyl coating
- 6 lock holes in hasp accommodate most lock shackles and hasps
- Supplied with a standard length of 2 metres
- Additional cable length also available on request

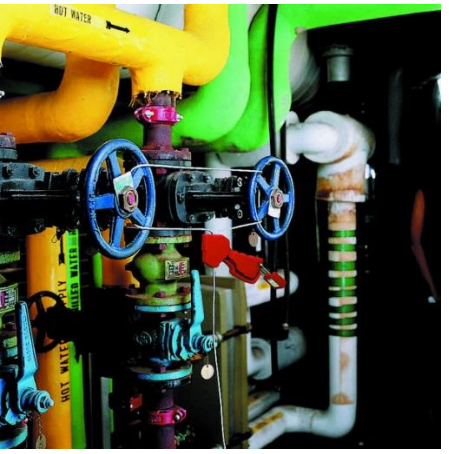




Made from impact modified nylon, this cable lockout device from TAGIT is perfect for your difficult lockout situations such as large valves or oversized devices. To use, simply squeeze device to tighten the cable and insert a padlock to secure the handle and the cable gets locked.

Features

- Cable lockouts are incredibly versatile making them perfect for all of your unusual energy isolating devices that are difficult to lock out
- Compact, lightweight body is made of rugged engineering plastic giving them superior chemical, corrosion and temperature resistance properties
- Sheathed metal cable is 3/16" diameter including vinyl coating
- Lock hole in hasp accommodates most lock shackles and hasps
- Supplied with a standard length of 2 metres
- Additional cable length also available on request



PRODUCT DESCRIPTION	PRODUCT CODE
Original Cable Lockout	LM-O-MCL



CABLE LOCKOUTS

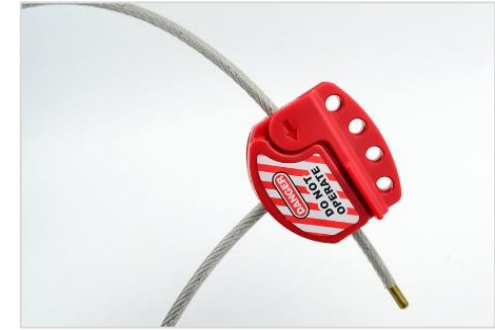


PRODUCT DESCRIPTION

Adjustable Cable Lockout

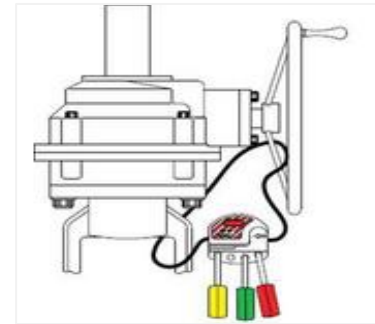
PRODUCT CODE

LM-A-MCL



Features

- › 4mm diameter x 2 meters pull-tight cable adjusts for a secure fit every time. Also available from 2 to 10 meters long and 6mm diameter
- › Integrated safety hasp and cable is ideal for multiple circuit breaker panel and side-by-side gate valve lockouts
- › Tough, flexible multi-stranded steel cable is insulated with a clear plastic coating
- › Tough, lightweight thermoplastic body withstands chemicals
- › Includes high-visibility, re-usable, write-on safety labels
- › Identify the responsible person, then erase for the next job



INSTRUCTIONS FOR USE

- Feed the cable end through the points to be locked out, then back through the lockout body
- Cinch it tight to remove any slack with the patented locking feature

GATE VALVE LOCKOUTS

The OSHA standard for The Control of Hazardous Energy (Lockout/Tagout): Title 29 (CFR) Part 1910.147

Gate valve lockouts deny access and cover a valve handle to help you turn a valve off and keep it off. From versatile gate valve lockouts to size specific devices, our products will make sure your valve is secure.

MATERIAL OF CONSTRUCTION: Polypropylene

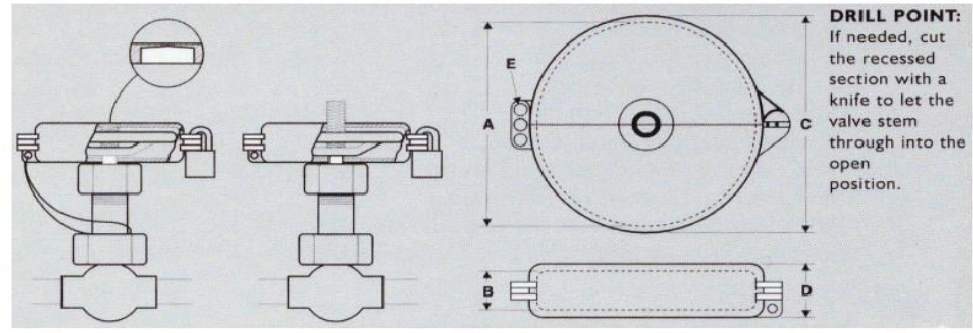


PRODUCT DESCRIPTION	TO FIT WHEEL SIZE	PRODUCT CODE
Gate Valve Lockout	1" TO 2-1/2"	LM-GVL1
	2-1/2" TO 5"	LM-GVL2
	5" TO 6-1/2"	LM-GVL3
	6-1/2" TO 10"	LM-GVL4
	10" TO 13"	LM-GVL5

INSTRUCTIONS FOR USE

Close the two halves over the valve handle and secure with padlock to complete the lockout.

Models	Inside Diameter	Inside Height	Outside Diameter	Outside Height	Lock Hole	Valve Handle Size
LM-GVL1	2.750" 70 mm.	1.250" 32 mm.	3.000" 76 mm.	1.500" 38 mm.	0.312" 8 mm.	1" - 2 1/2"
LM-GVL2	5.000" 130 mm.	1.250" 32 mm.	5.500" 140 mm.	1.750" 44 mm.	0.375" 9.5 mm.	2 1/2" - 5"
LM-GVL3	6.500" 170 mm.	1.500" 38 mm.	7.000" 177 mm.	2.000" 50 mm.	0.375" 9.5 mm.	5" - 6 1/2"
LM-GVL4	10.000" 257 mm.	2.000" 50 mm.	10.500" 267 mm.	2.500" 63 mm.	0.375" 9.5 mm.	6 1/2" - 10"
LM-GVL5	14.000" 355 mm.	2.500" 63 mm.	14.500" 368 mm.	3.000" 73.8 mm.	0.375" 9.5 mm.	10" - 14"



VALVE LOCKOUTS



Your Lockout / Tagout Expert

www.lotomaster.eu

ADJUSTABLE GATE VALVE LOCKOUT

The OSHA standard for The Control of Hazardous Energy (Lockout/Tagout): Title 29 (CFR) Part 1910.147

This versatile valve handwheel lockout adjusts to fit valve handwheels from 25.4mm to 165mm (1" to 6.1/2") diameter. It covers and rotates freely around the valve wheel.



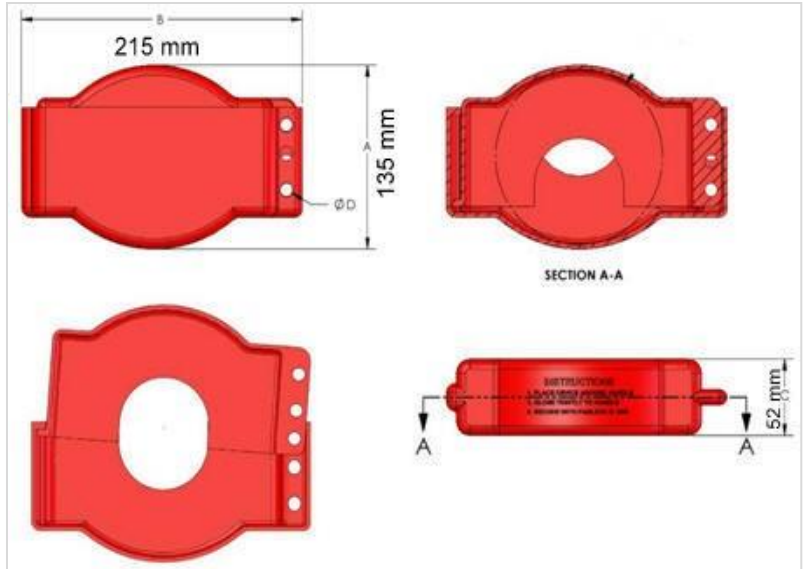
PRODUCT DESCRIPTION	PRODUCT CODE
Adjustable Gate Valve Lockout	LM-AGVL



MATERIAL OF CONSTRUCTION: Polypropylene

INSTRUCTIONS FOR USE

- Fit the two halves of the valve cover over the handwheel
- Push fit the two halves together
- Lock using a lockout padlock



VALVE LOCKOUTS



Your Lockout / Tagout Expert

www.lotomaster.eu

Ball valve lockout devices will lock out a range of different pipes by securing the valve handle in the OFF position. Our small lockout devices will lock pipes with diameters measuring from ½" to 3". Our large ball valve lockout devices can lock out pipes that range from 2" to 8" in diameter.

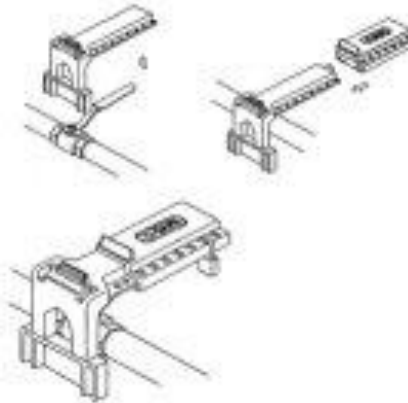
MATERIAL OF CONSTRUCTION: Polypropylene

Models	Width A	Height B	Length of Handle C	Lock Hole D
LM-BVL1	3.100" 80 mm.	3.250" 82 mm.	5.375" to 7.500" 135 mm. to 190 mm.	0.312" dia. 8 mm.
LM-BVL2	3.750" 95 mm.	5.000" 125 mm.	7.500" to 10.000" 190 mm. to 250 mm.	0.312" dia. 8 mm.
LM-BVL3	4.000" 100 mm.	7.450" 186 mm.	12.000" to 17.500" 300 mm to 438 mm	0.312" dia. 8 mm.



PRODUCT DESCRIPTION	TO FIT VALVE SIZE	PRODUCT CODE
Ball Valve Lockout	½" TO 1-1/4"	LM-BVL1
	1-1/2" TO 3"	LM-BVL2
	2" TO 8"	LM-BVL3

INSTRUCTIONS FOR USE



WEDGE STYLE BALL VALVE LOCKOUT

The OSHA standard for The Control of Hazardous Energy (Lockout/Tagout): Title 29 (CFR) Part 1910.147

Fits manual, quarter turn ball valve handles to protect against accidental opening

Easy to use one piece design locks valve in OFF position



PRODUCT DESCRIPTION	TO FIT VALVE SIZE	PRODUCT CODE
Wedge Style Ball Valve Lockout	¼" to 1"	LM-WS-BVL1
	1-1/2" TO 3"	LM-WS-BVL2



Compact size can easily be stored or carried

Two rows of lock out points allow for a secure fit

Heat Resistant powder coated metal body

VALVE LOCKOUTS



Your Lockout / Tagout Expert

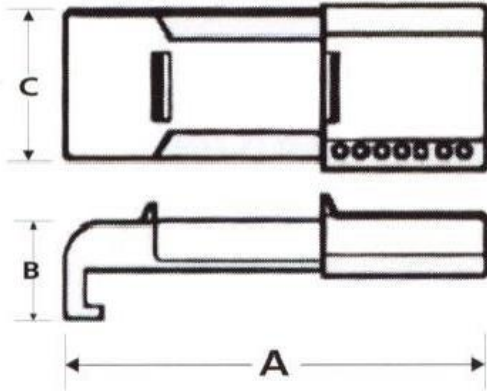
www.lotomaster.eu

BUTTERFLY VALVE LOCKOUT

The OSHA standard for The Control of Hazardous Energy (Lockout/Tagout): Title 29 (CFR) Part 1910.147

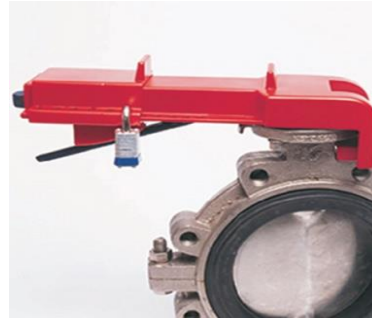
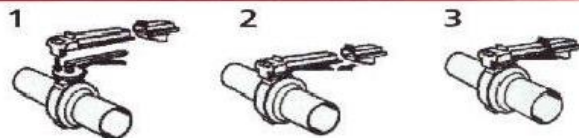
This universal sized Butterfly valve lockout device has an innovative design which enables to lockout most of the butterfly valves used for various applications. This is a simple yet effective way to secure your butterfly valves to prevent un-authorized operation.

MATERIAL OF CONSTRUCTION: Polypropylene



Model	Length A	Height B	Width C	Lock Hole D
LM-BFVL	12" 305 mm.	2.750" 70 mm.	4.000" 102 mm.	0.375" 9.5 mm.

ASSEMBLY INSTRUCTIONS



INSTRUCTIONS FOR USE

When slid into position the wedge on the slider section prevents the compression handle being squeezed, preventing operation of the valve. The holes on the slider have a staggered repeat which ensures hole will be tight when placed against the valve. Padlock is used in the hole which is tight to the valve as possible to ensure proper lockout.



PRODUCT DESCRIPTION	PRODUCT CODE
Butterfly Valve Lockout	LM-BFVL

SETTABLE BALL VALVE LOCKOUT

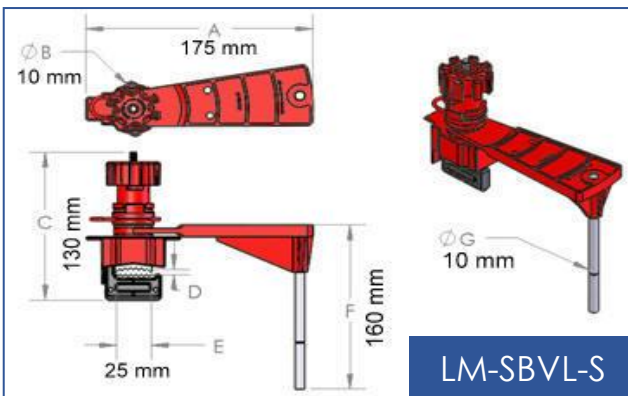
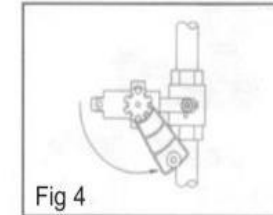
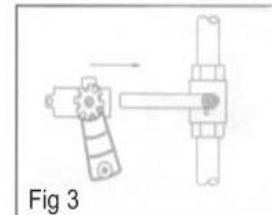
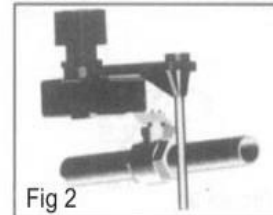
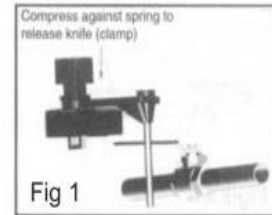
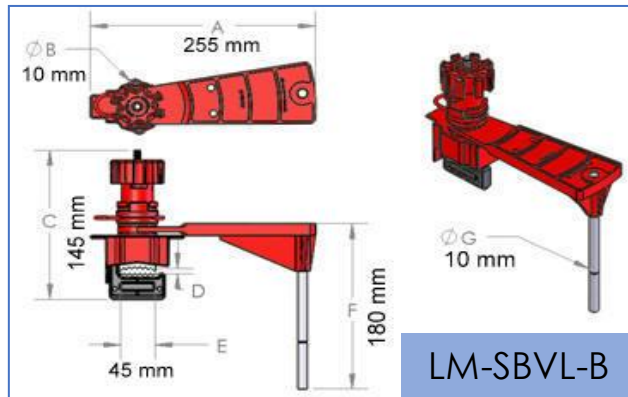
The OSHA standard for The Control of Hazardous Energy (Lockout/Tagout): Title 29 (CFR) Part 1910.147

This valve lockout is constructed from tough nylon and stainless steel to avoid corrosion. It is used for precise Locking & closing/opening of the ball valves of various sizes and makes. Designed to lock out quarter-turn valves of varying sizes and geometric handle dimensionS (round, square or flat). Valves can also be locked in the ON or Throttled positions for non lock-out applications.

PRODUCT DESCRIPTION	PRODUCT CODE
Settable Ball Valve Lockout - Big	LM-SBVL-B
Settable Ball Valve Lockout - Small	LM-SBVL-S



MATERIAL OF CONSTRUCTION: Polypropylene



INSTRUCTIONS FOR USE

- Compress the handwheel knob to open clamp (Fig. 1)
- Place the valve lockout on the valve handle (Fig. 2)
- Rotate the ball valve lockout arm against the pipe in the direction of the valve rotation (Fig. 3)
- Turn the handwheel clockwise to tighten the clamp against the valve handle (fig. 4)
- Place padlock in the locking cleat assembly

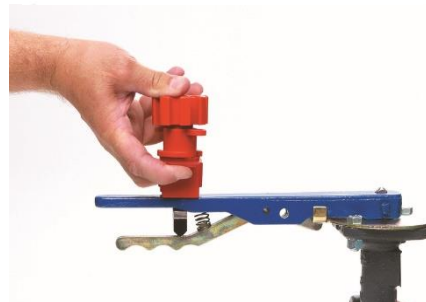
VALVE LOCKOUTS



Universal valve lockout systems are versatile, rugged, easy-to-use and lightweight - perfect for locking out all types of standard valves with a single device. They are designed to handle extra impact and resist chemicals making them ideal for just about any environment.

Each lightweight valve lockout is made of industrial-grade steel and nylon for extra impact and chemical resistance

An open-ended clamp fits over closed rings and wide handles to lockout valves



PRODUCT DESCRIPTION	PRODUCT CODE
Universal Valve Lockout	LM-UVL



WHERE TO USE?
<ul style="list-style-type: none">▪ Clamp attaches to butterfly handles, preventing trigger handle from being squeezed▪ Use cable attachment to lock out gate valves

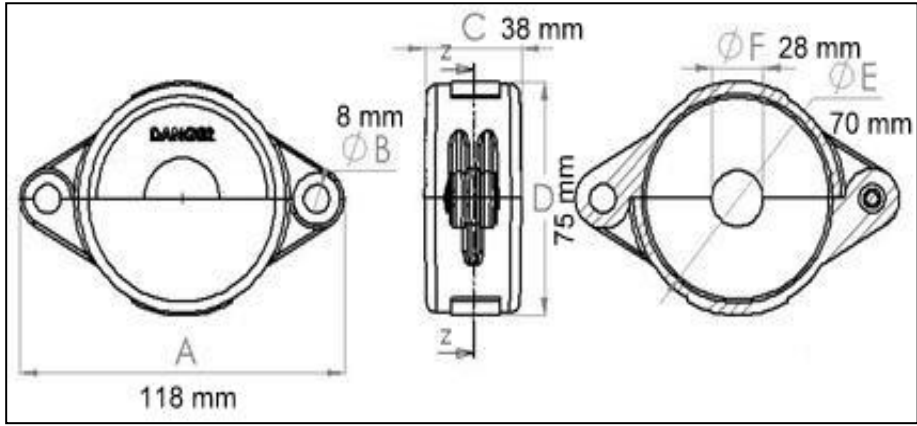
These lockout devices are great for locking out large levers, T-handles and other hard to secure mechanical devices

A 2 Meter cable attachment is available in 1/8" nonconductive nylon or rustproof vinyl-coated steel

CYLINDER TANK LOCKOUT

The OSHA standard for The Control of Hazardous Energy (Lockout/Tagout): Title 29 (CFR) Part 1910.147

Revolutionary new rugged plastic device is used to lockout cylinder tanks, including propane tanks on fork trucks and stand alone propane tanks. Special design allows device to be used in tight spaces.



PRODUCT DESCRIPTION	PRODUCT CODE
Cylinder Tank Lockout	LM-CTL

INSTRUCTIONS FOR USE

Adjust the lockout device to suit the cylinder neck, bring the cap to the close position and apply the padlock to secure the cylinder.



Your Lockout / Tagout Expert

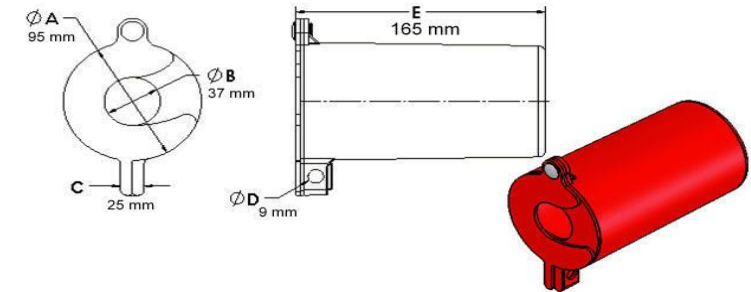
www.lotomaster.eu

CYLINDER LOCKOUTS

The Gas Cylinder Lockout from Lotomaster is adjustable and fits in seconds. You need not match your lockout device to varying diameters and threads of the cylinder caps. This lockout device is manufactured to accommodate neck rings up to 3-1/2" in diameter.



MATERIAL OF CONSTRUCTION: Polypropylene



INSTRUCTIONS FOR USE

Adjust the lockout device to suit the cylinder neck, bring the cap to the close position and apply the padlock to secure the cylinder

PRODUCT DESCRIPTION	PRODUCT CODE
---------------------	--------------

Gas Cylinder Lockout	LM-GCL
----------------------	--------

ELECTRICAL PLUG LOCKOUT

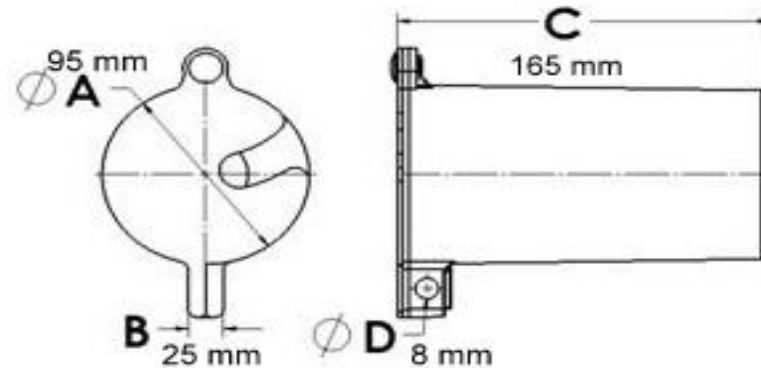
The OSHA standard for The Control of Hazardous Energy (Lockout/Tagout): Title 29 (CFR) Part 1910.147

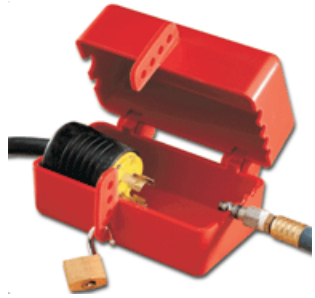
The Plug Lockout accommodates high and low voltage electrical plugs upto 3" in diameter and 5 ½" in length. Two sliding top lids can be used individually or together to fit small, medium and large diameter cords upto 1 ¼".



PRODUCT DESCRIPTION	PRODUCT CODE
Electrical Plug Lockout	LM-PL

MATERIAL OF CONSTRUCTION: Polypropylene, Yellow Color





Avoid electrical accidents by applying lockouts to prevent plugs from being inserted into a wall outlet. Use when plug will not remain under the exclusive control of the person performing service or maintenance. Device is made of rugged engineering plastic and is designed for 250/500V electrical plugs. It Includes danger message printed on the device to alert workers of lockout program in progress. Can also be used to lockout air hose nipples.



PRODUCT DESCRIPTION

PRODUCT CODE

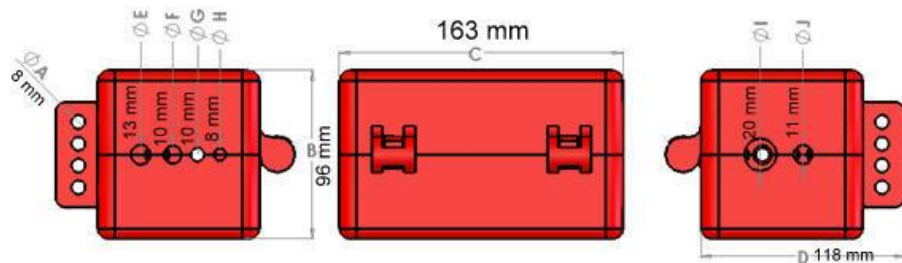
Pneumatic Plug Lockout - Big

LM-PPL-BIG

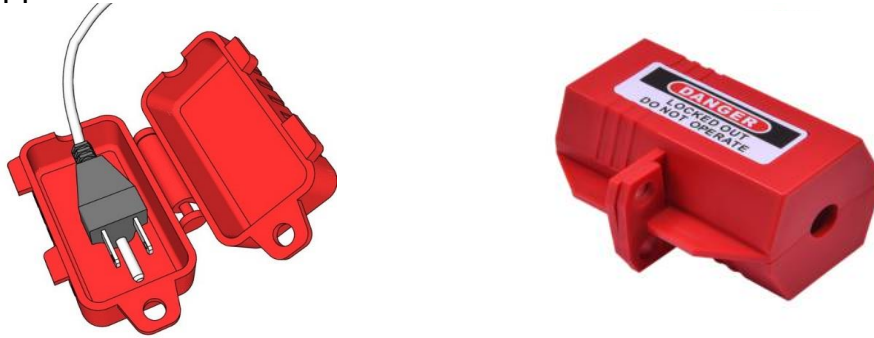
MATERIAL OF CONSTRUCTION: Acrylonitrile Butadiene Styrene

INSTRUCTIONS FOR USE

Adjust the lockout device to suit the electrical plug, bring the lockout device to the close position and apply the padlock to secure the electrical plug. Make sure the plug cannot be removed from the lockout device once the padlock is applied.



Avoid electrical accidents by applying lockouts to prevent plugs from being inserted into a wall outlet. Use when plug will not remain under the exclusive control of the person performing service or maintenance. Device is made of rugged engineering plastic and is designed for 250/500V electrical plugs. It Includes danger message printed on the device to alert workers of lockout program in progress. Can also be used to lockout air hose nipples.



PRODUCT DESCRIPTION	PRODUCT CODE
Pneumatic Plug Lockout - Small	LM-EPL-5189

MATERIAL OF CONSTRUCTION: Acrylonitrile Butadiene Styrene



INSTRUCTIONS FOR USE

Adjust the lockout device to suit the electrical plug, bring the lockout device to the close position and apply the padlock to secure the electrical plug. Make sure the plug cannot be removed from the lockout device once the padlock is applied.

PLUG HOIST LOCKOUT

The OSHA standard for The Control of Hazardous Energy (Lockout/Tagout): Title 29 (CFR) Part 1910.147

Effectively locks out odd size and large electrical connectors and hoist controls

6-1/4" diameter by 17" tall (15.8cm x 43.1cm)

The cinch sack offers broad application solutions



Insert PVC tubing to block access to hoist control buttons

Flexible & durable rip-stop nylon bag fits easily in safety tool boxes

Accepts up to 6 padlocks or hasps

Trilingual lock out warning printed on bag

PRODUCT DESCRIPTION

Plug Hoist Lockout

PRODUCT CODE

LM-PHL



ELECTRICAL LOCKOUTS



Your Lockout / Tagout Expert

www.lotomaster.eu

Panel Board Lockout Devices have been designed to lockout electrical panel buttons and switches with no inbuilt lockout provisions. These Lockout Devices are available in various designs and they all work in a 2-stage operation. The base plate should be attached directly onto the electrical panel over the top of the relevant switch using the super strong adhesive Backing / Riveting / Bolting. When in place, the electrical plugs / switches / buttons can be isolated by placing the house unit over the top of base plate - hence preventing the access to the isolated switch. Then, they can be locked in place with a Lockout Padlock. The circular units are designed to fit over most of the universal type push / mushroom panel buttons and the square units are designed for the switches with levers. For the switches with extended handles - we have the special Lockout solutions that freeze the movement of these switches to a still position where they need to be locked at a specific angle.



LM-PBL-SQ



LM-PBL-SQ-75



LM-PBL-RT-135



LM-PBL-R



LM-EPL-22



LM-EPL-30



LM-PBL-L

PRODUCT DESCRIPTION	PRODUCT CODE
Panel Board Lockout, Square	LM-PBL-SQ
Panel Board Lockout, Square-75	LM-PBL-SQ-75
Panel Board Lockout, Rectangle-135	LM-PBL-RT-135
Panel Board Lockout, Round	LM-PBL-R
Electrical Panel Lockout, 22mm	LM-EPL-22
Electrical Panel Lockout. 30mm	LM-EPL-30
Panel Board Lockout, Large	LM-PBL-L

PNEUMATIC LOCKOUT – 9H

The OSHA standard for The Control of Hazardous Energy (Lockout/Tagout): Title 29 (CFR) Part 1910.147

Prevents pneumatic fitting from being connected to pressurized air source

Fits virtually all male pneumatic fittings found in manufacturing facilities

Stainless steel construction for corrosion resistance



Measures 1-3/8" wide x 7-3/4" x 1/8" thick (3.4cm x 19.6cm x 0.3cm)

Accepts any LOTOMASTER Safety padlock

Works with lockout hasps for multiple worker lockout

PRODUCT DESCRIPTION

PRODUCT CODE

Pneumatic Disconnect Lockout

LM-PL-9H

This product is used to effectively isolate pneumatic energy, and allows the installer to connect 6.35, 9.52 and 12.7mm male fittings into the device, thus preventing them from being reattached to a pressurised air source.



PRODUCT DESCRIPTION

PRODUCT CODE

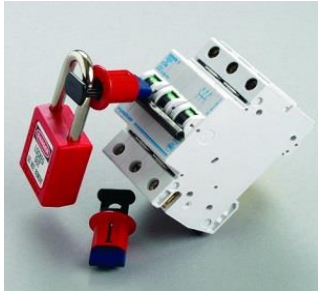
Pneumatic Lockout – 3 Way

LM-PL-3W

The product has a selection of holes throughout which padlocks can be attached to to firmly secure the device in place.

PIN TYPE MCB LOCKOUTS

The OSHA standard for The Control of Hazardous Energy (Lockout/Tagout): Title 29 (CFR) Part 1910.147



This Lockout Safety Pin In/Out Miniature Circuit Breaker Lockout ensures ease of operation and is extremely effective – it features inwards/outwards facing pins and push-button for both ease of installation and de-installation.

PIN - IN

features inward facing pins and push-button for easy installation and de-installation

PIN-OUT

features outward facing pins and push-button for easy installation and de-installation

PIN-OUT-WIDE

features outward facing pins and is excellent for locking out wider Miniature Circuit Breakers

Features

- Safe and effective method of locking out Miniature Circuit Breakers
- Available with Pin In, Pin Out or Pin Out Wide
- All are operated by push-button, no tools required
- Single safety padlock hole with single padlock required to secure the device

PRODUCT DESCRIPTION	PRODUCT CODE
PIN-IN TYPE MCB LOCKOUT	LM-PI-CBL
PIN-OUT TYPE MCB LOCKOUT	LM-PO-CBL
PIN-OUT-WIDE TYPE MCB LOCKOUT	LM-POW-CBL



Pin In



Pin Out



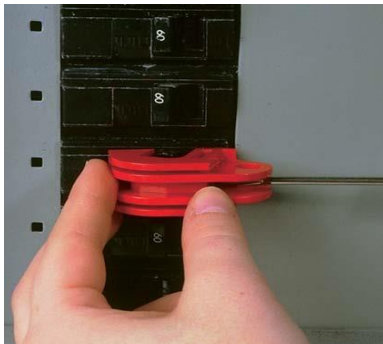
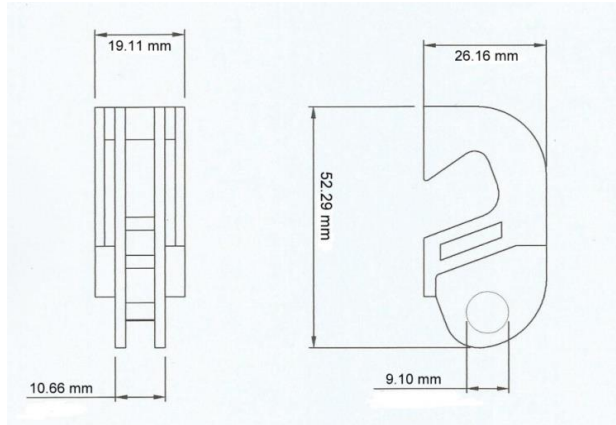
Pin Out Wide

UNIVERSAL CIRCUIT BREAKER LOCKOUT

The OSHA standard for The Control of Hazardous Energy (Lockout/Tagout): Title 29 (CFR) Part 1910.147

This Universal circuit breaker lockout is made of durable engineering plastic and is compatible with most of the single and multipole breakers

MATERIAL OF CONSTRUCTION: Acrylonitrile Butadiene Styrene, Red



INSTRUCTIONS FOR USE

Clamp the lockout device onto the circuit breaker toggle in the off position using a small screwdriver and the set screw in the device. Place a padlock through the hole to prevent access to the set screw

PRODUCT DESCRIPTION

PRODUCT CODE

Universal Circuit Breaker Lockout

LM-UCBL

MCB / FUSE LOCKOUT SET

The OSHA standard for The Control of Hazardous Energy (Lockout/Tagout): Title 29 (CFR) Part 1910.147

These MCB lockouts, made from durable plastic, will lockout most of the miniature circuit breakers. The fuse lockout fits most of fuse holders. Lockout devices for molded case circuit breakers are also available. Also available in the set is the large circuit breaker lockout which is easy to use and install.



LM-MCL1



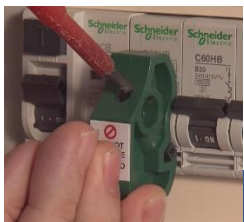
LM-FL



LM-MCL2



LM-LCL



LM-MCL3

PRODUCT DESCRIPTION

PRODUCT CODE

MCB / FUSE LOCKOUT

LM-MCBFL





Miniature Breaker Lockouts require NO TOOLS to install! "Tie Bar" style lockouts use a convenient thumb wheel. Lockouts are available for single and multi-pole breakers. Recommended to lock with LOTOMASTER De-Electric padlock with shackle diameter up to 9/32". Lockouts are made of glass-filled nylon.

PRODUCT DESCRIPTION

PRODUCT CODE

Tie Bar Lockout

LM-TBLO



This large circuit breaker lockout is used to lockout wide range of 3 phase circuit breakers. Made of rugged engineering plastic, it fits on levers up to 3" wide and 0.9" thick.



LM-LCBL-R



LM-LCBL-T

PRODUCT DESCRIPTION	TYPE	PRODUCT CODE
Large Circuit Breaker Lockout	Round	LM-LCBL-R
	Toggle	LM-LCBL-T

MATERIAL OF CONSTRUCTION: Acrylonitrile Butadiene Styrene, Red

INSTRUCTIONS FOR USE

- Put the circuit breaker handle to the "OFF" position
- Place the lockout over the handle
- Tighten the set screw by hand, rotate the toggle
- Apply a lockout padlock
- Make sure the switch is completely locked out and cannot be energized until the lockout device is removed

CLAMP ON BREAKER LOCKOUTS

The OSHA standard for The Control of Hazardous Energy (Lockout/Tagout): Title 29 (CFR) Part 1910.147

Clamp-on breaker lockouts are easy to install using thumbscrew design - no screwdrivers needed! Simply tighten lockout securely onto switch tongue, pull cover over thumbscrew and lock cover to prevent clamp from being loosened. Accepts lock shackles up to 9/32" in diameter. Made of rugged polypropylene and impact modified nylon. Cleats are included for use with breakers with long, sliding switch throws.

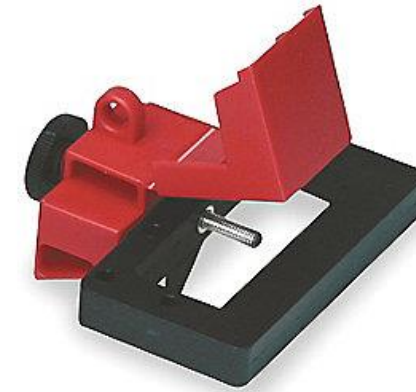
FOR SINGLE POLE MINIATURE CIRCUIT BREAKERS



LM-SP-CBL



FOR LARGE BREAKERS



LM-CO-CBL

PRODUCT DESCRIPTION	PRODUCT CODE
Single Pole Circuit Breaker Lockout	LM-SP-CBL
Clamp on Circuit Breaker Lockout	LM-CO-CBL

CB SERIES CIRCUIT BREAKER LOCKOUTS

The OSHA standard for The Control of Hazardous Energy (Lockout/Tagout): Title 29 (CFR) Part 1910.147

LOCKOUT FOR CIRCUIT BREAKER WITH RECESS HOLE SINGLE POLE

LM-CB01

Circuit Breaker Lockout - Single pole, requires a switch breaker with a recessed hole in it.



LOCKOUT FOR CIRCUIT BREAKER WITH RECESS HOLE DOUBLE POLE

LM-CB02

Circuit Breaker Lockout - Double pole, requires breakers connected with a cross bar for lockout application



LOCKOUT FOR CIRCUIT BREAK (NO RECESS HOLE) SINGLE POLE

LM-CB03

Circuit Breaker Lockout - Single pole, does not require a switch breaker w/recessed hole



PRODUCT DESCRIPTION

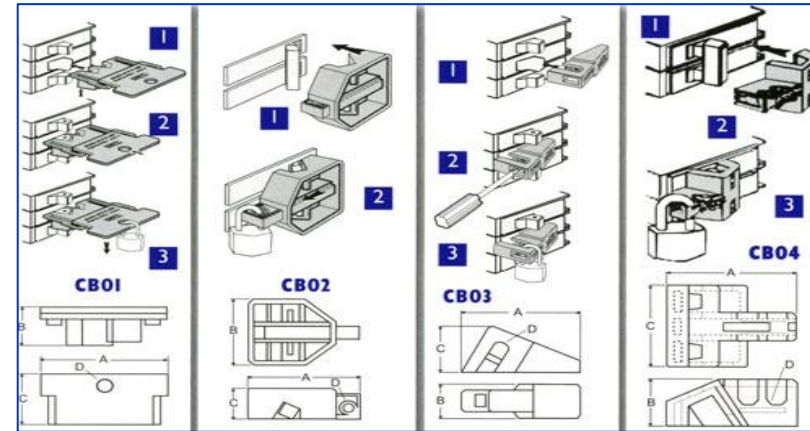
PRODUCT CODE

Circuit Breaker Lockout for Single Pole with Recess hole	LM-CB01
Circuit Breaker Lockout for Double Pole with Recess hole	LM-CB02
Circuit Breaker Lockout for Single Pole with No Recess hole	LM-CB03
Circuit Breaker Lockout for Double Pole and 2 Toggle Switches	LM-CB04

LOCKOUT FOR CIRCUIT BREAK WITH TWO TOGGLE SWITCHES DOUBLE POLE

LM-CB04

Circuit Breaker Lockout - Double pole, requires two toggle switches connected w/cross bar for lockout application.



CIRCUIT BREAKER LOCKOUTS



Your Lockout / Tagout Expert

www.lotomaster.eu

LM-GT-CBL-A



LM-GT-CBL-B



PRODUCT DESCRIPTION

PRODUCT CODE

Grip Tight Circuit Breaker Lockout- Type A LM-GT-CBL-A

Grip Tight Circuit Breaker Lockout- Type B LM-GT-CBL-B

Features

- Secure mounting for a solid lockout
- Grips tight with simple thumb turn and clamping handle
- Offers superior holding power compared to other devices
- Universal fit, exclusive design accommodates many styles of breaker toggles
- Compact design, the narrow profile permits side by side breaker lockout
- Durable construction, are made reinforced polymer to operate in harsh conditions
- Locates sideways onto the toggle and is ideal for tall and wide toggles
- Compact device is easy to carry and easy to store
- Accepts all LOTOMASTER safety padlock shackles and lockout hasp diameters

480/600V BREAKER BLOCKER KIT

The OSHA standard for The Control of Hazardous Energy (Lockout/Tagout): Title 29 (CFR) Part 1910.147

Safely lock out your oversized and irregularly shaped switches with our 480-600V Breaker Blocker. Self-adhesive backed rails are permanently installed into electrical panels - simply clean panel surface and adhere - no drilling required! Color-coded blocking bars can be used to indicate if breaker is locked off (red) or on (green).

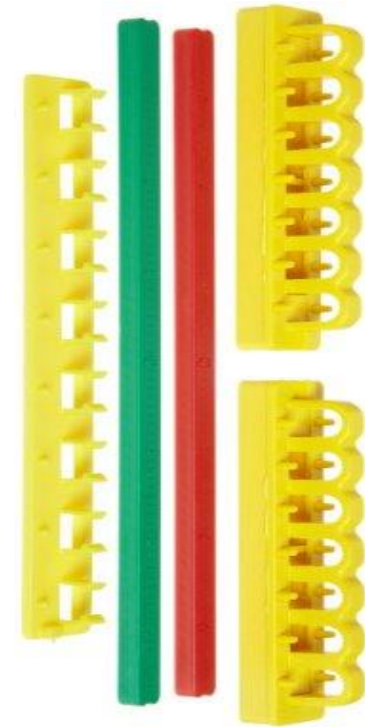


PRODUCT DESCRIPTION

PRODUCT CODE

480/600V Breaker Blocker Kit

LM-BBK



Lockout stations are equipped with the tools you need to isolate mechanical and electrical control points. These stations are portable or static and work for just about any application. Lockout Stations are hard-wearing, user-friendly wall stations that offer the ultimate storage space for large facilities and for multiple departmental use. Lockout/Tagout stations are used to store Lockout Tagout equipment securely and in one place. Most of the lockout stations are wall mountable and allow you to secure the board in a fixed position near the energy source so that Lockout Tagout equipment is always ready and at hand.

Our **Lockout Stations** come in various sizes and shapes and hold everything from hasps to padlocks.



LM-SLS



LM-SMLS



LM-LS-6L



LM-LS-10L



LM-LS-20L



LM-LS-36L

PRODUCT DESCRIPTION	PRODUCT CODE
Steel Lockout Station	LM-SLS
Small Lockout Station	LM-SMLS
Lockout Station for 6 Padlocks	LM-LS-6L
Lockout Station for 10 Padlocks	LM-LS-10L
Lockout Station for 36 Padlocks	LM-LS-36L

Group lockout boxes are a great solution for isolating energy points when a large team is working. Using a group lockout box allows you to dramatically reduce the amount of locks required on a job, limit weight on each energy point by eliminating hasps, and it provides a quick overview of who is still working without going to each energy point.

PRODUCT DESCRIPTION	PRODUCT CODE
Group Lockout Box - Steel	LM-GLOB
Group Lockout Box – with slider window	LM-GLOB-NS
Group Lockout Box, Thermoplast	LM-GLOB-2R

Group Lockout Boxes are storage devices that can be used to store keys for the effective lockout of large equipment



LM-GLOB



LM-GLOB-SL



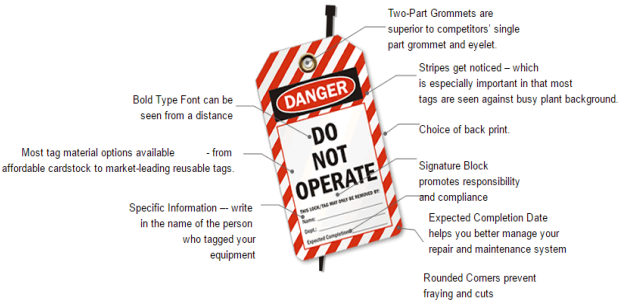
LM-GLOB-2R

Each lockout point on the equipment is secured with a single padlock. Workers can place their keys in the group lockout box, then each authorised employee places their own personal padlock on to the lock box. Once the work has been completed, the employees remove their personal padlock from the lock box therefore freeing the keys inside. Group Lockout Boxes act to ensure that the keys cannot be accessed until the last lock has been removed.

Your LOTO program begins and ends with a LOCKOUT TAG.

It should be durable, easy to complete and easy to understand.

LOTOMASTER's Lockout tags are made of flexible plastic which can be attached to all the lockout devices using a padlock or a cable tie



Tagout devices warn against hazardous conditions if the machine or equipment is energized.

Additionally, OSHA 1910.333(e) and (f) require that all disconnecting means show the magnitude and shall be legibly marked to indicate the purpose, unless located and arranged so the purpose is evident.

PRODUCT DESCRIPTION	PRODUCT CODE
Standard Lockout Tags	LM-ST
Photo Tags with Liner	LM-TWL

STANDARD LOCKOUT TAGS:

Made from 0.5mm Plastic these Lockout Tags are designed to withstand the toughest of environments. Each Tag has reinforced eyelet for superior pull strength and durability. The eyelets are big enough to accommodate Lockout Padlocks and are writable with Marker Pens.



LM-ST



LM-TWL

LOTOMASTER's Basic Lockout Kit offers the basic safety lockout products from all the categories that you require for lockout/ tagout applications. Take a look at the components of this kit!

CONTENTS OF THE KIT:

- Lockout hasp with 25mm jaw size- 1 each
- Lockout hasp with 38mm jaw size- 1 each
- De-Electric hasp- 2 each
- Ultimate Lockout padlocks long shackle-2 sets
- De-Electric padlocks- 2 each
- Safety tags (DO NOT OPERATE)- 5 each
- Safety Lockout Ties- 5 each
- Miniature circuit breaker / fuse lockout- 1 set
- Gate Valve lockout 1"to 2-1/2"- 1 each
- Gate Valve lockout 2-1/2"-5"- 1 each
- Ball Valve lockout small- 1 each
- Universal circuit breaker lockout- 1 set
- Large circuit breaker lockout- 1 each
- Cylinder lockout- 1 each
- Pneumatic Plug lockout small- 1 each
- Universal multipurpose cable lockout- 1 each
- Standard multipurpose cable lockout- 1 each
- Screw Driver/ Tester- 1 each
- Permanent Marker Pen- 1 each
- Lockout Kit Box- 1 each

PRODUCT DESCRIPTION	PRODUCT CODE
Basic Lockout Kit	LM-BLK



LOTOMASTER's Personal Lockout Kit is a basic lockout kit that consists of safety lockout products like padlocks and hasps that you require for basic lockout/ tagout applications. Take a look at the components of this kit!



PRODUCT DESCRIPTION

Personal Lockout Kit

PRODUCT CODE

LM-PLK

CONTENTS OF THE KIT:

- Vinyl coated steel hasp 25mm- 1 each
- Vinyl coated steel hasp 38mm- 1 each
- Ultimate Padlock regular shackle- 1 each
- Ultimate Padlock long shackle- 1 each
- Lockout Tags- 2 each
- Lockout Ties- 2 each
- Personal Lockout pouch- 1 each

Personal Electrical Lockout Kit is a handy and useful kit that consists of electrical safety lockout devices for electrical applications. It comes with a personal electrical lockout pouch. Take a look at this personal electrical lockout kit!



PRODUCT DESCRIPTION

Personal Electrical Lockout Kit

PRODUCT CODE

LM-PELK

CONTENTS OF THE KIT:

- Miniature circuit breaker / fuse lockout- 1 set
- Universal Circuit Breaker Lockout- 1 set
- De-Electric Hasp- 3 each
- Standard multipurpose cable lockout- 1 set
- De-Electric Padlocks- 3 each
- Lockout Tags- 10 each
- Lockout Ties- 10 each
- Permanent Marker Pen- 1 each
- Screw driver cum tester- 1 each
- Electrical lockout pouch- 1 each

LOTOMASTER's Electrical Lockout Kit consists of all the safety lockout products that you require for electrical applications. Take a look at the components of this kit!

CONTENTS OF THE KIT:

- Miniature Circuit Breaker/Fuse Lockout- 1 set
- Universal circuit breaker lockout – 1 set
- Large circuit breaker lockout toggle type- 1 each
- Plug Lockout- 1 each
- Pneumatic Plug Lockout small- 1 each
- Pneumatic Plug Lockout big – 1 each
- Universal multipurpose cable lockout- 1 set
- Standard multipurpose cable lockout- 1 each
- De-Electric hasp- 3 each
- Ultimate lockout padlocks regular shackle- 3 each
- Ultimate lockout padlocks long shackle- 3 each
- De-Electric padlocks- 3 each
- Steel lockout hasps 25mm jaw size dia- 3 each
- Steel lockout hasps 38mm jaw size dia- 3 each
- Lockout tags- 20 each
- Lockout Ties- 20 each
- Permanent Marker Pen- 1 each
- Pouch Lock- 1 each
- Electricians Lockout Pouch- 1 each
- Electrical Lockout Kit Box- 1 each

PRODUCT DESCRIPTION	PRODUCT CODE
Electrical Lockout Kit	LM-ELK



STANDARD VALVE LOCKOUT KIT

The OSHA standard for The Control of Hazardous Energy (Lockout/Tagout): Title 29 (CFR) Part 1910.147

LOTOMASTER's Standard Valve Lockout Kit offers all the Valve Lockouts that you require for locking out different kinds of valves and also a personal lockout pouch to carry the required lockout tools. Take a look at the components of this standard kit!

PRODUCT DESCRIPTION

PRODUCT CODE

Standard Valve Lockout Kit

LM-VLKS

CONTENTS OF THE KIT:

- Gate valve lockout 1-1/2"to 2"- 1 each
- Gate valve Lockout 2-1/2"to 5"- 1 each
- Gate valve lockout 5"to 6-1/2"- 1 each
- Ball Valve Lockout small- 1 each
- Ball Valve Lockout medium- 1 each
- Settable Ball Valve Lockout small- 1 set
- Butterfly Valve Lockout- 1 each
- Vinyl coated Steel hasp 25mm jaw size dia- 3 each
- Vinyl coated Steel hasp 38mm jaw size dia- 3 each
- Universal multipurpose cable lockout- 1 set
- Ultimate Lockout Padlocks regular shackle- 1 set
- Ultimate Lockout Padlocks long shackle- 1 set
- Lockout Tags- 10 each
- Lockout Ties- 10 each
- Permanent Marker Pen- 1 each
- Personal Lockout Pouch- 1 each
- Valve Lockout Kit Box- 1 each



PREMIUM VALVE LOCKOUT KIT

The OSHA standard for The Control of Hazardous Energy (Lockout/Tagout): Title 29 (CFR) Part 1910.147

LOTOMASTER's Premium Valve Lockout Kit offers a good combo of Valve Lockouts that you require for locking out different kinds of valves. Take a look at the components of this premium kit!



PRODUCT DESCRIPTION

PRODUCT CODE

Premium Valve Lockout Kit

LM-VLKP

CONTENTS OF THE KIT:

- Gate valve lockout 5" to 6-1/2"- 1 each
- Gate valve lockout 6-1/2" to 10"- 1 each
- Gate valve lockout 10" to 13"- 1 each
- Adjustable Gate Valve Lockout- 1 each
- Ball Valve Lockout big- 1 each
- Universal Butterfly Valve Lockout- 1 each
- Settable Ball Valve Lockout small- 1 set
- Settable Ball Valve Lockout big- 1 set
- Universal multipurpose cable lockout- 1 set
- Vinyl coated steel hasp 25mm jaw size- 3 each
- Vinyl coated steel hasp 38mm jaw size- 3 each
- Ultimate Lockout Padlocks regular shackle- 1 set
- Ultimate Lockout Padlocks long shackle- 1 set
- Lockout Tags- 20 each
- Lockout Ties- 20 each
- Permanent Marker Pen- 1 each
- Valve Lockout Kit Box- 1 each

LOCKOUT KITS



Your Lockout / Tagout Expert

www.lotomaster.eu

LOTOMASTER's Ultimate Lockout Kit consists of safety lockout products that cover a broad range of mechanical and electrical applications. Take look at our Ultimate Lockout Kit!

CONTENTS OF THE KIT:

- Adjustable Gate Valve Lockout- 1 each
- Universal Valve Lockout- 1 each
- Settable Ball Valve Lockout small- 1 set
- Settable Ball Valve Lockout big- 1 set
- Vinyl coated steel hasp 25mm jaw size- 3 each
- Vinyl coated steel hasp 38mm jaw size- 3 each
- Premier multipurpose cable lockout- 1 each
- Miniature circuit breaker / fuse lockout- 1 each
- Universal Circuit Breaker Lockout- 1 each
- Large Circuit Breaker Lockout- 1 each
- Pneumatic Plug Lockout big- 1 each
- Electrical Plug Lockout- 1 each
- Standard multipurpose Cable Lockout- 1 each
- De-Electric Hasp- 3 each
- Ultimate Lockout Padlocks regular shackle- 3 each
- Ultimate Lockout Padlocks long shackle- 3 each
- De-Electric Padlocks- 3 each
- Lockout Tags- 20 each
- Lockout Ties- 20 each
- Permanent Marker Pen- 1 each
- Ultimate Lockout Kit Box- 1 each

PRODUCT DESCRIPTION

PRODUCT CODE

Ultimate Lockout Kit

LM-ULK

