



- One piece body with coppered, nickel and chrome plated steel lock-bolt, Ø 5,5 mm. or 10 mm.
- Gold painted or silver painted (red for item 135)
- Automatic locking mechanism with nickel and chrome plated disc plug with scratchproof ABS cover (radial pin mechanism for item 135)
- Supplied with 2 German silver keys (2 nickel-plated brass tubular keys for item 135) with ergonomic non slip ABS grip. If request, it's available, as an accessory, the "reminder" cable (item 006) to avoid starting with the disc lock inserted

- **Useful and compact; perfect for locking scooters**



Lock protected by weatherproof cap (except Item 135)



Supplied with useful nylon textile bag

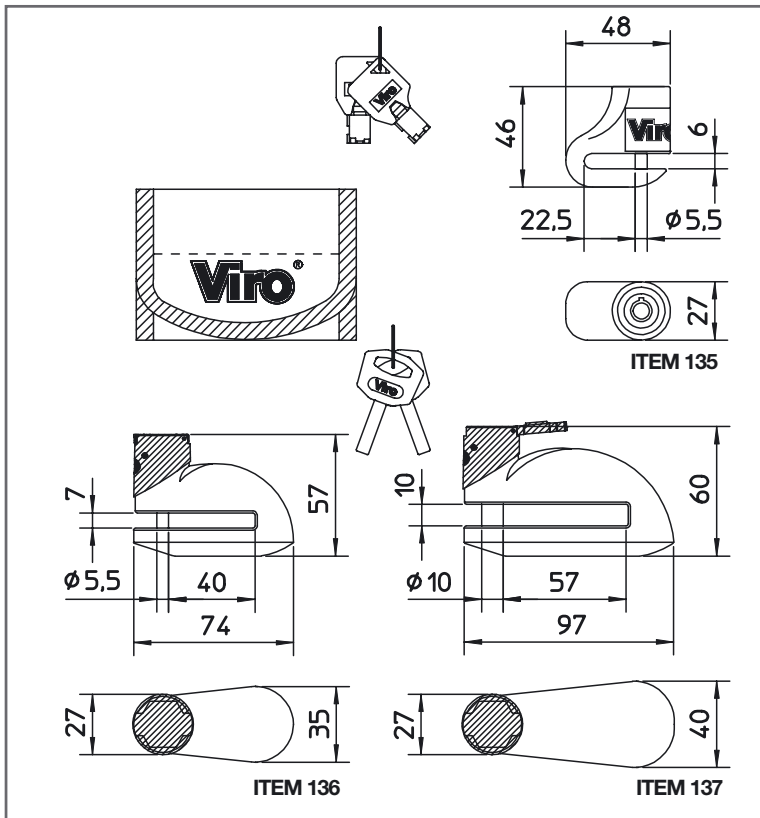


135
ITEMS 136
137





DISC LOCK STOPPER MOTO



ITEM CODE	LOCK-BOLT DIAMETER mm.	FINISH	NET UNIT WEIGHT gr.
135	5,5	RED	250
136	5,5	GOLD / SILVER	460
137	10	GOLD / SILVER	680





Viro 2 *RUOTE*

DISC LOCK HAMMER

- One piece body with tempered, coppered, nickel and chrome plated steel lock-bolt, Ø 5,5 mm. or 10 mm.
- Chrome-plated or orange painted
- Automatic locking mechanism with nickel and chrome plated disc plug with scratchproof ABS cover
- Supplied with 2 German silver keys with ergonomic non slip ABS grip. If request, it's available, as an accessory, the "reminder" cable (item 006) to avoid starting with the disc lock inserted

- **Robust and compact; perfect for locking scooters**



Supplied with useful nylon textile bag



Lock protected by weatherproof cap

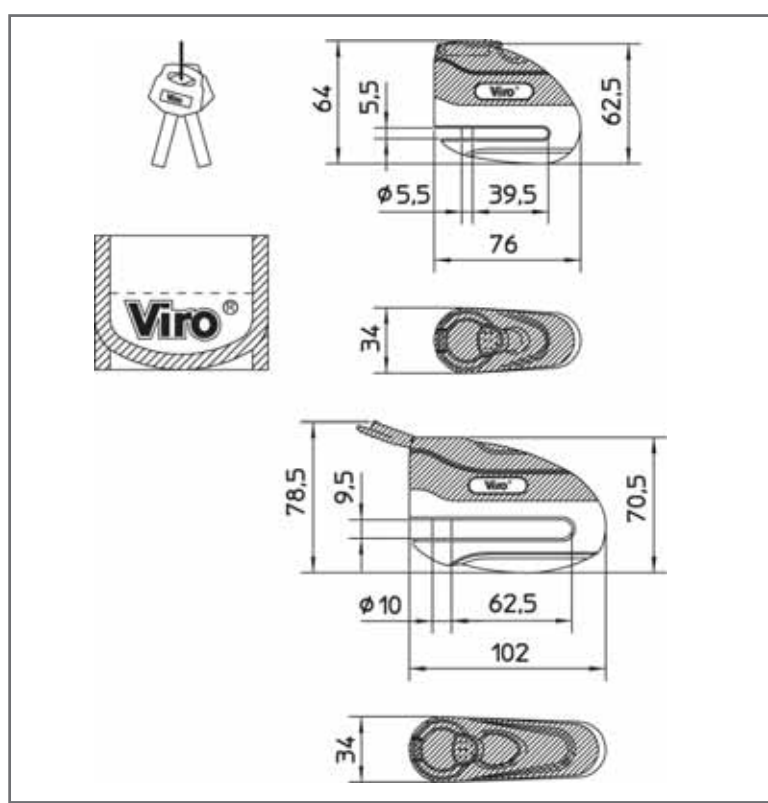


ITEM 153





DISC LOCK HAMMER



ITEM CODE	LOCK-BOLT DIAMETER mm.	FINISH	NET UNIT WEIGHT gr.
153	5,5	ORANGE	400
153.47	10	CHROME	570



ITEM 153