

- Tempered and black painted steel shackle, square cut 19 mm wire diameter. One-piece galvanized steel body
- Scratch-proof bi-coloured (black and grey) ABS cover
- Symmetric removable shackle, spring-loaded dead-bolt double locking mechanism. 10 wafers copper, nickel and chrome-plated zamak plug, protected by a resistant to attack plate with scratch-proof ABS cover
- Supplied with 2 nickel plated brass automotive type keys with ergonomic non slip ABS grip

● **Very sturdy, particularly suitable for scooters and motorbikes**



Lock protected by weatherproof cap

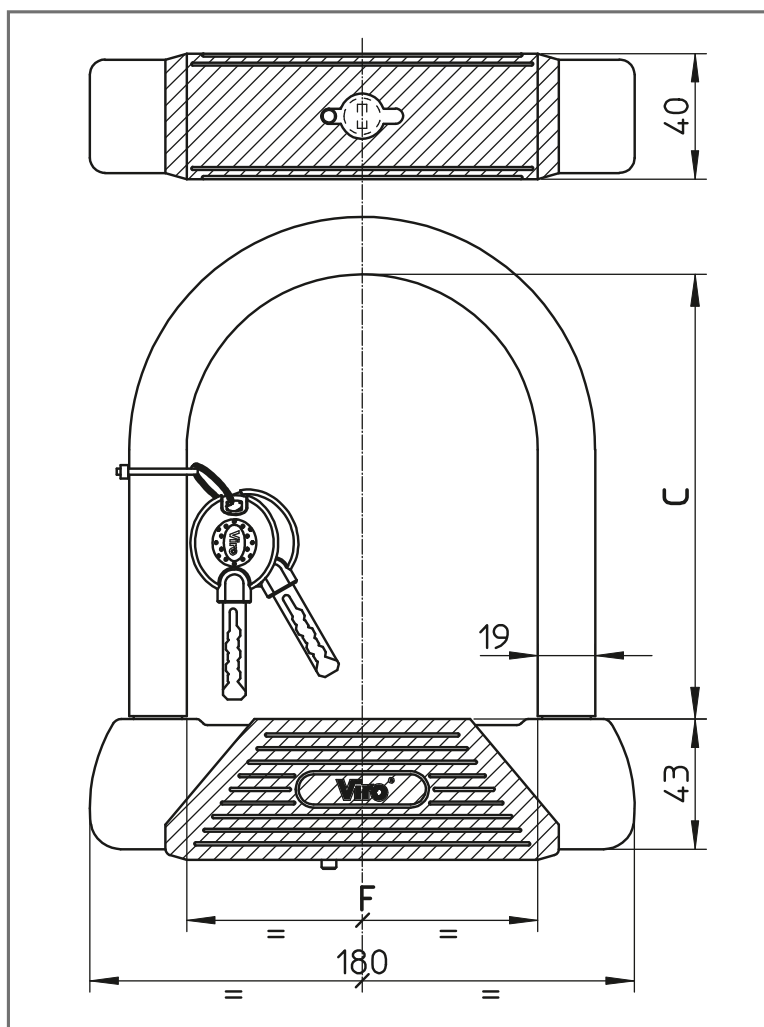


Keys with ergonomic grip





**SQUARE CUT U-LOCK**  $\varnothing$  19 mm



ITEM	SHACKLE SECTION mm	ARCH SPAN C - F cm	NET UNIT WEIGHT g
184.145	19	14,5 - 11,6	1450



ITEM 184