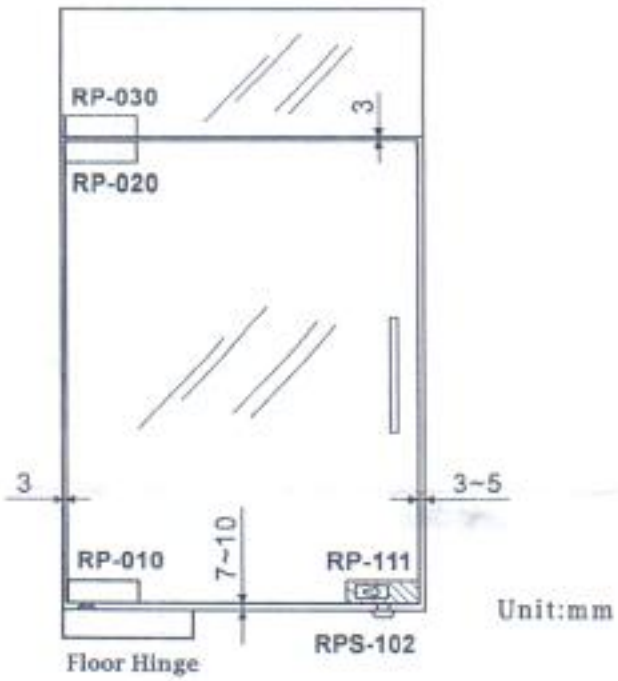
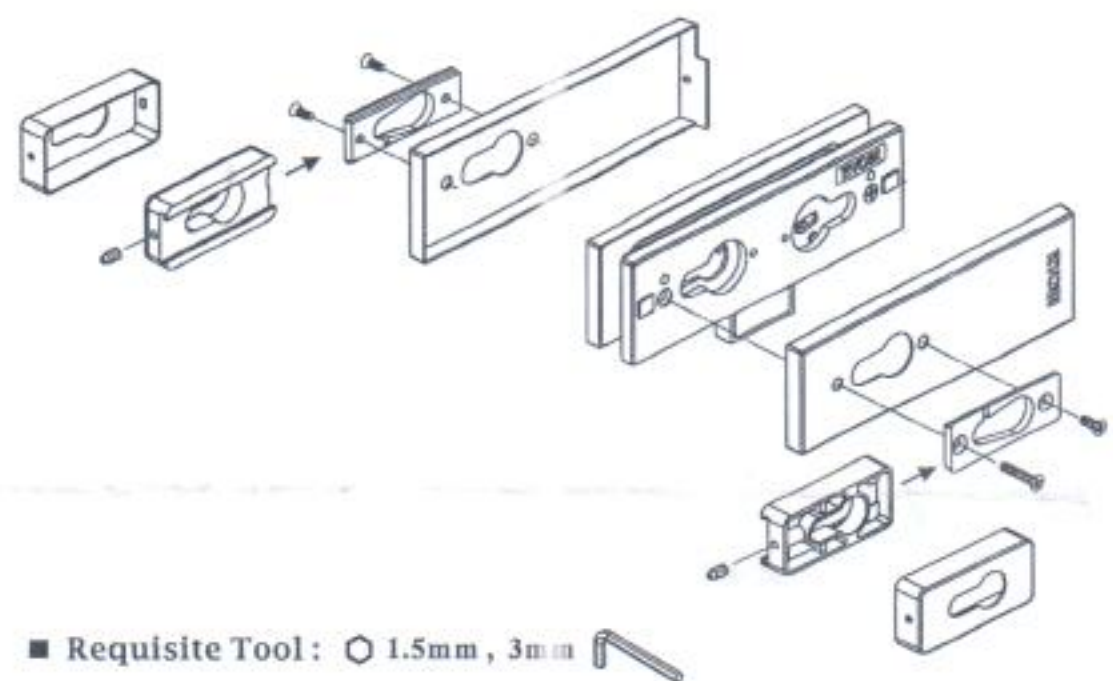


RYOBI® Installation Instruction GLASS FITTING

■ Suitable For 10/12 mm Glass Thickness.



■ Lock Patch Fitting



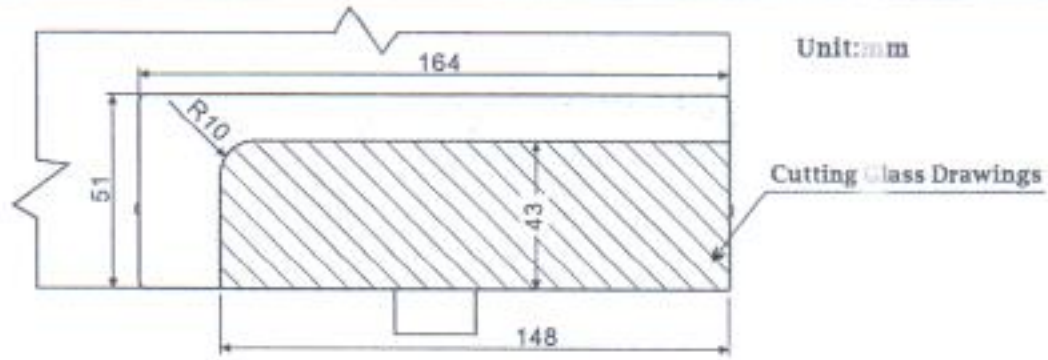
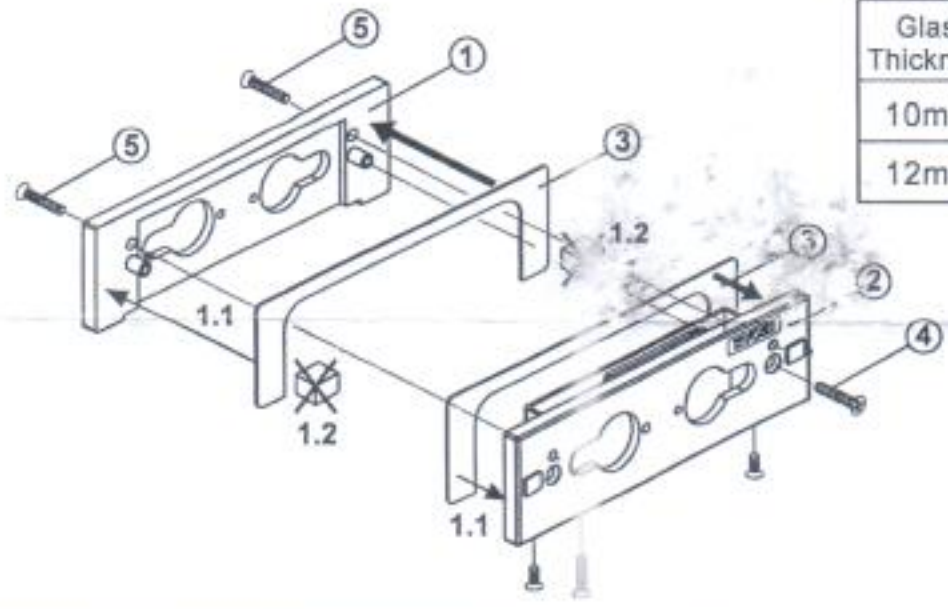
■ Requisite Tool : \varnothing 1.5mm , 3mm

1. Preparing the base unit

- 1.1 Put gasket into right place ③, and make sure the blank side face to glass.
- 1.2 Dispose the spacer

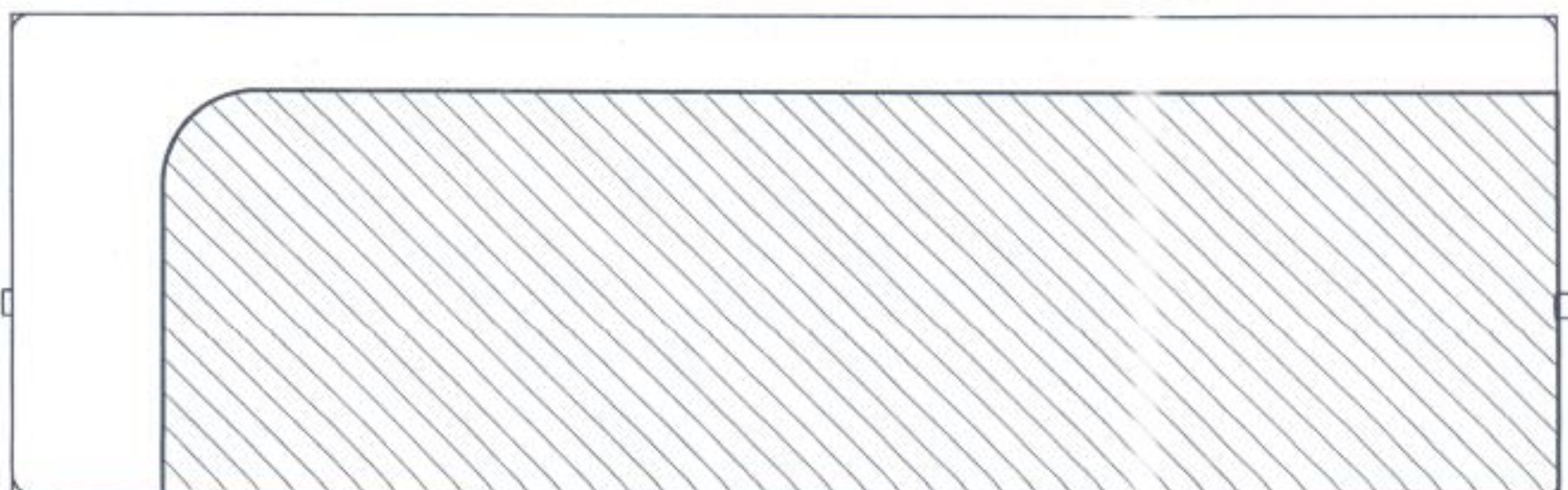
③ Gasket selection

Glass Thickness	Gasket Thickness
10mm	1mm
12mm	



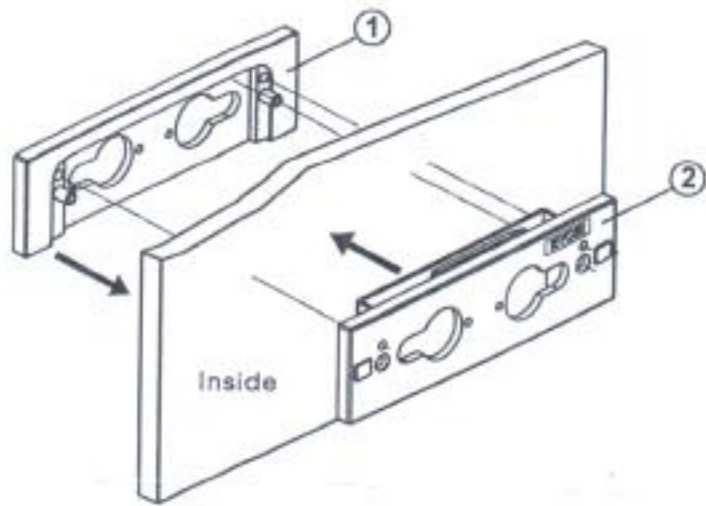
■ Glass Cutting Dimensions

Cutting Glass Drawings



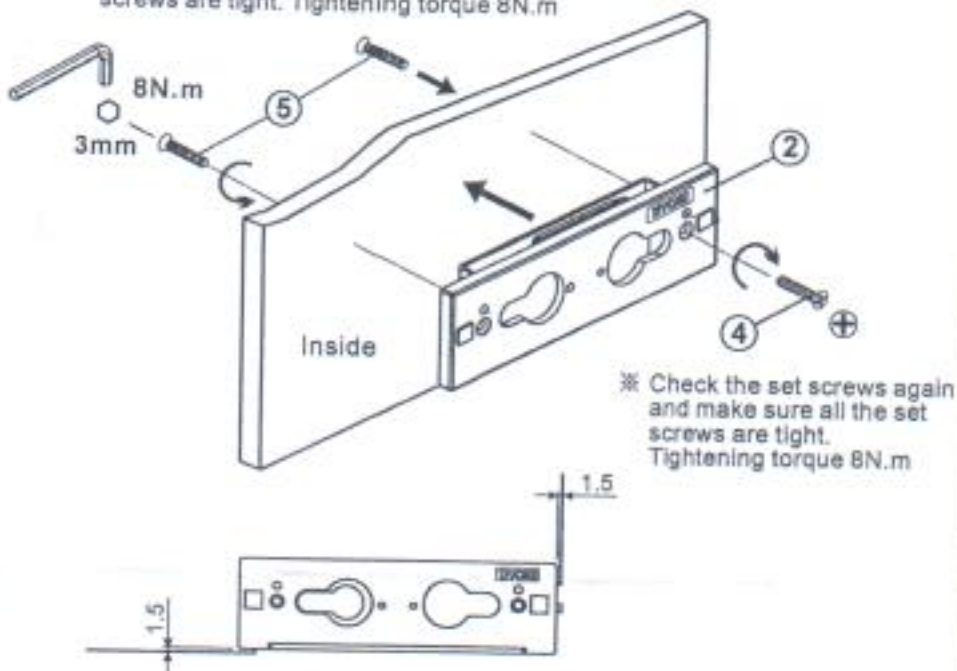
2. Installation of the base unit :

1

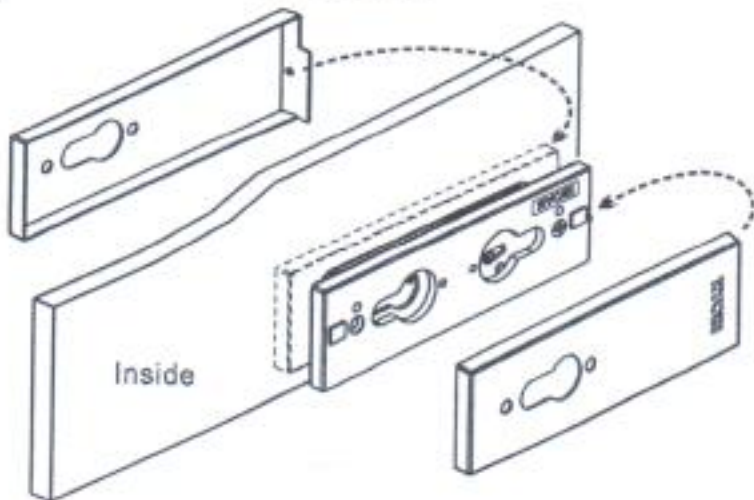


2

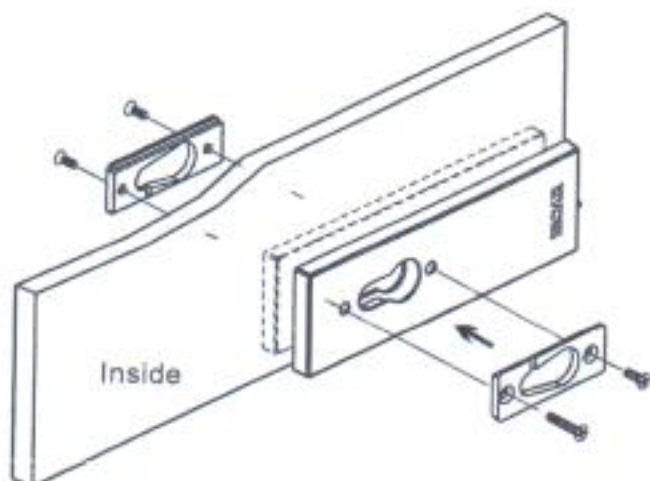
※ Check the set screws again and make sure all the set screws are tight. Tightening torque 8N.m



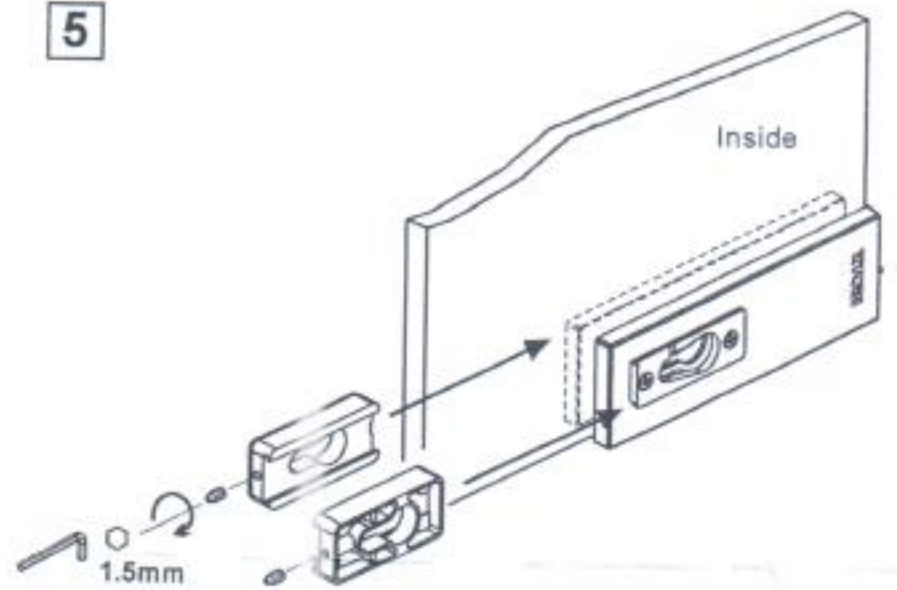
3 Installation of the cover caps.



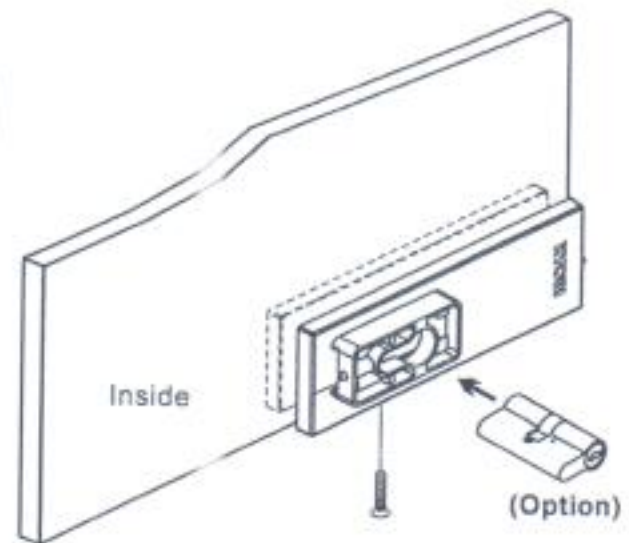
4



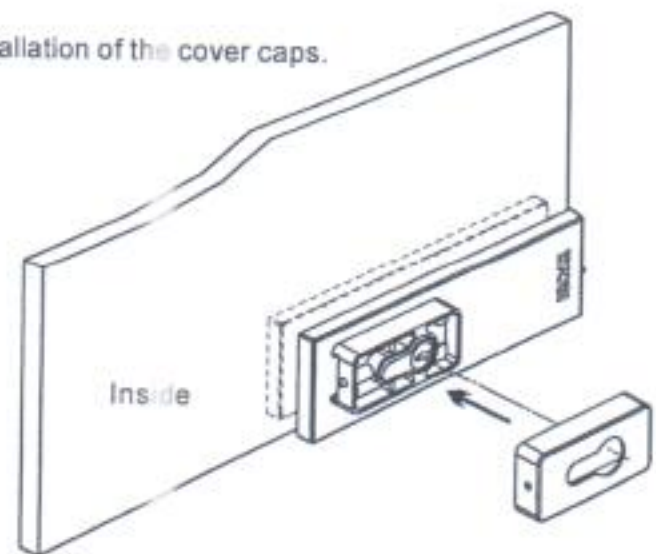
5



6



7 Installation of the cover caps.



8

