

RYOBI®



Overhead door closer **RYOBI**
D-2200 SERIES

Overhead door closer D-2200 SERIES

Model chart

Size	Without hold-open		Maximum door weight	Maximum door width	
	Without backcheck	Delayed action			
Size2-4	Standard application	D-2200	D-2200DA	40-80kg	850-1100mm
Size1-3				Top jamb application	20-60kg
Size1-2	Track-rail arm application	D-2200T	D-2200DAT	20-40kg	750-850mm
Size2-3	Parallel arm application	D-2200P	D-2200DAP	40-60kg	850-950mm

* : D-2200 univ is a set to handle both standard application and parallel arm application.

Slim-line body and smooth operation

CE EN1154 (inc. CE EN1634 part.1)

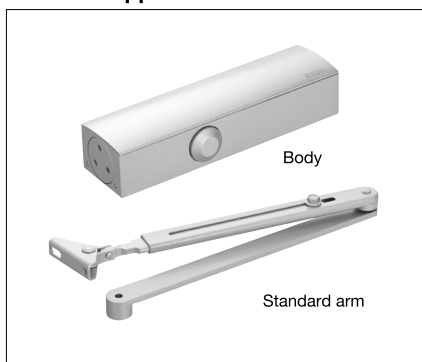
Standard backcheck and optional delayed action functions

Support of door sizes 2 through 4 by closing power adjustment

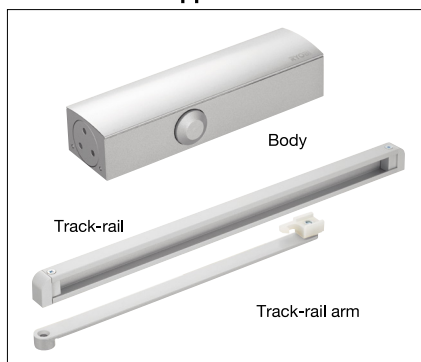
Non-handed

Wide color variation

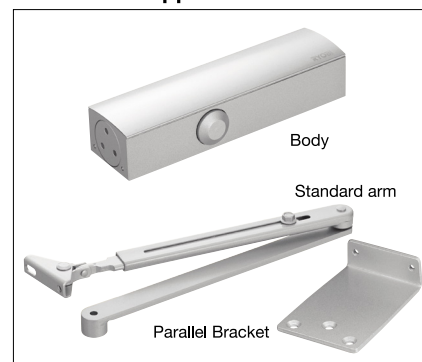
D-2200
Standard application



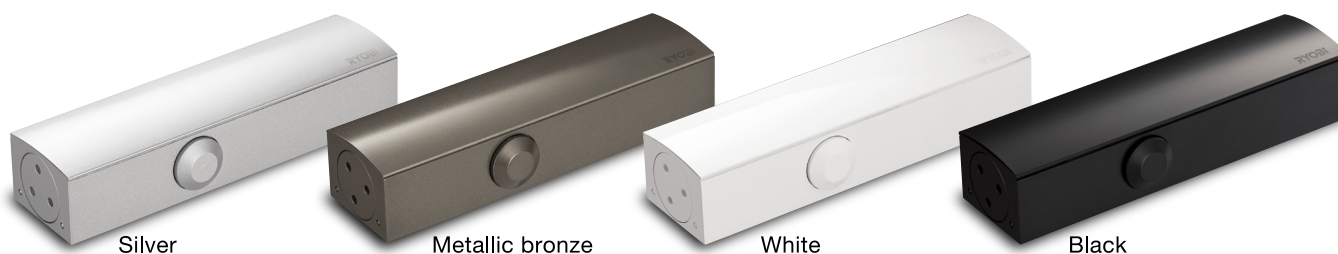
D-2200T
Track-rail arm application



D-2200P
Parallel arm application



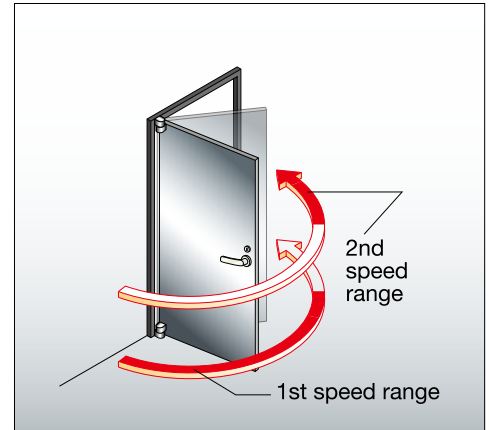
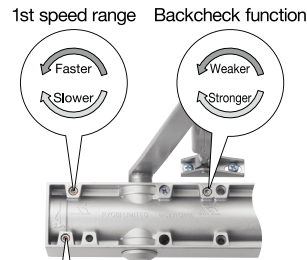
Color variation



Specification and adjustment

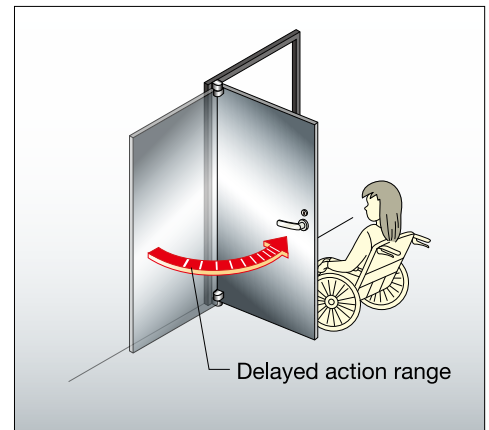
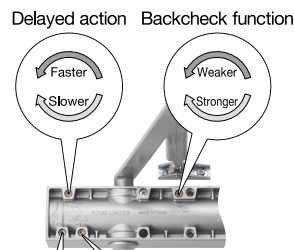
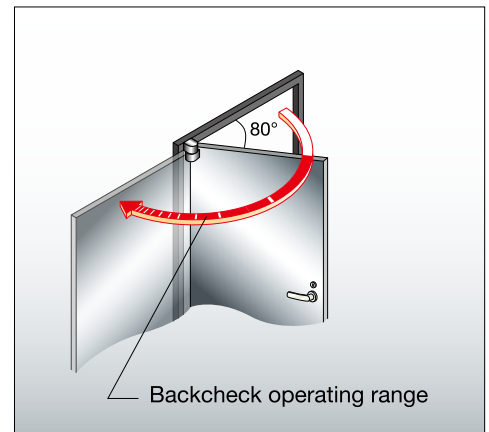
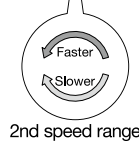
Two speed control valves

- There are two speed ranges for door closing speed.
- Those ranges are classified into two stages of the 1st speed range which controls overall door closing speed and the 2nd speed range which controls latching speed.
- Those speeds can be adjusted by respectively independent speed adjustment valves.



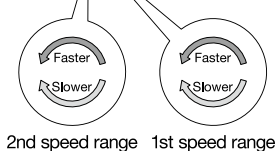
Backcheck function

- This function controls sudden door opening by strong wind, etc.
- This function prevents accidents, injuries, and door damage which occur due to a door suddenly opening by a strong wind or rough handling.
- This function works in a range of door opening angles from approx. 80 to 180 degrees.
- The door becomes heavier when it operates, however, this is all by design. The door opens if it is slowly opened.
- When installing the door closer equipped with the backcheck function, sufficiently reinforce hinges and pivots.



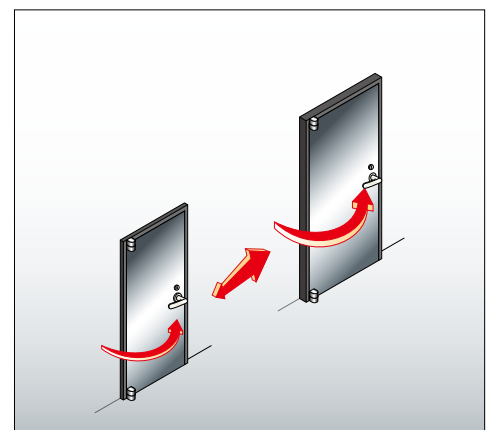
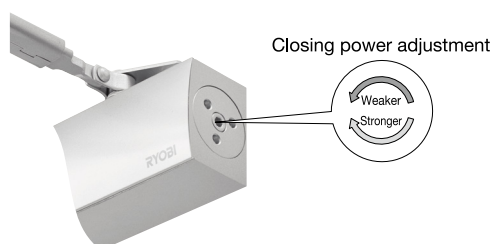
Delayed action

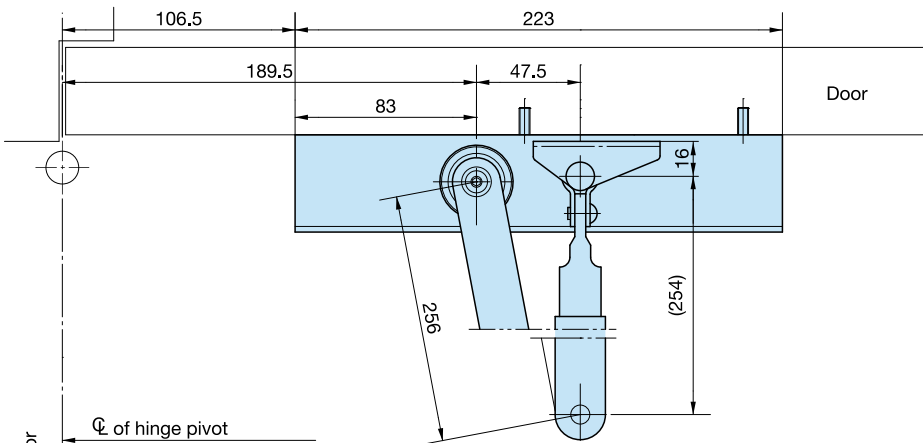
- This function allows additional closing time from a full open angle to approx. 70 degrees.
- Delayed time can be adjusted to vary from seconds to minutes by the delayed action adjustment valve.
- Delayed closing action is an advantage to Nursing staff assisting patients, Domestic staff pushing meals or maintenance trolleys, and the elderly or infirm walking with sticks or frames under supervision.



Closing power adjustment

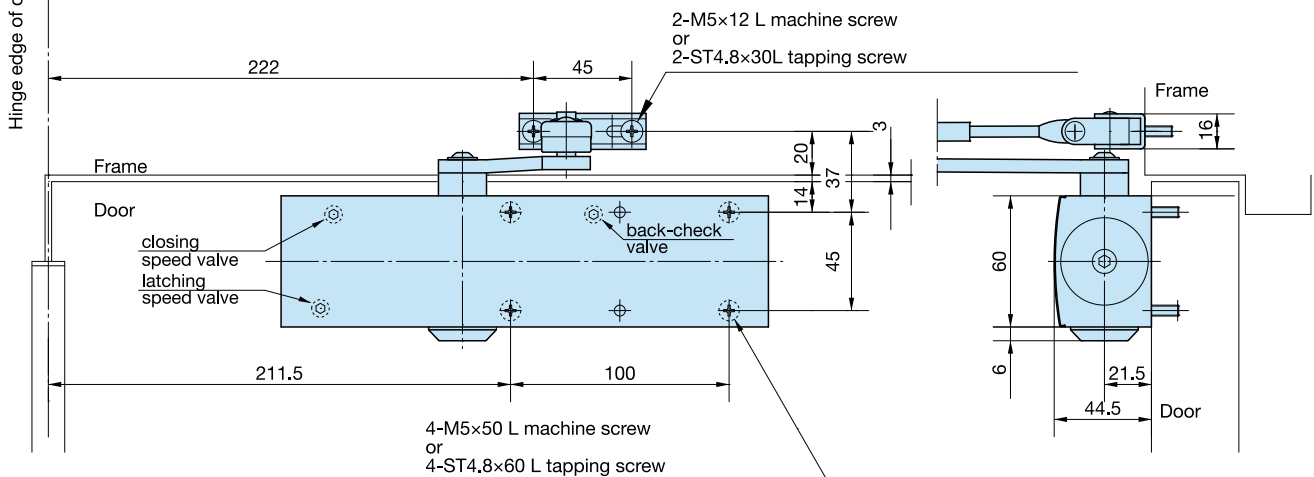
- Spring power adjustable according to door weight and width,
- Factory preset size 2 standard installation.





Maximum door weight	Maximum door width
40-80kg	850-1100mm

Refer to Page 3 for the closing speed adjustments of model with delayed action.



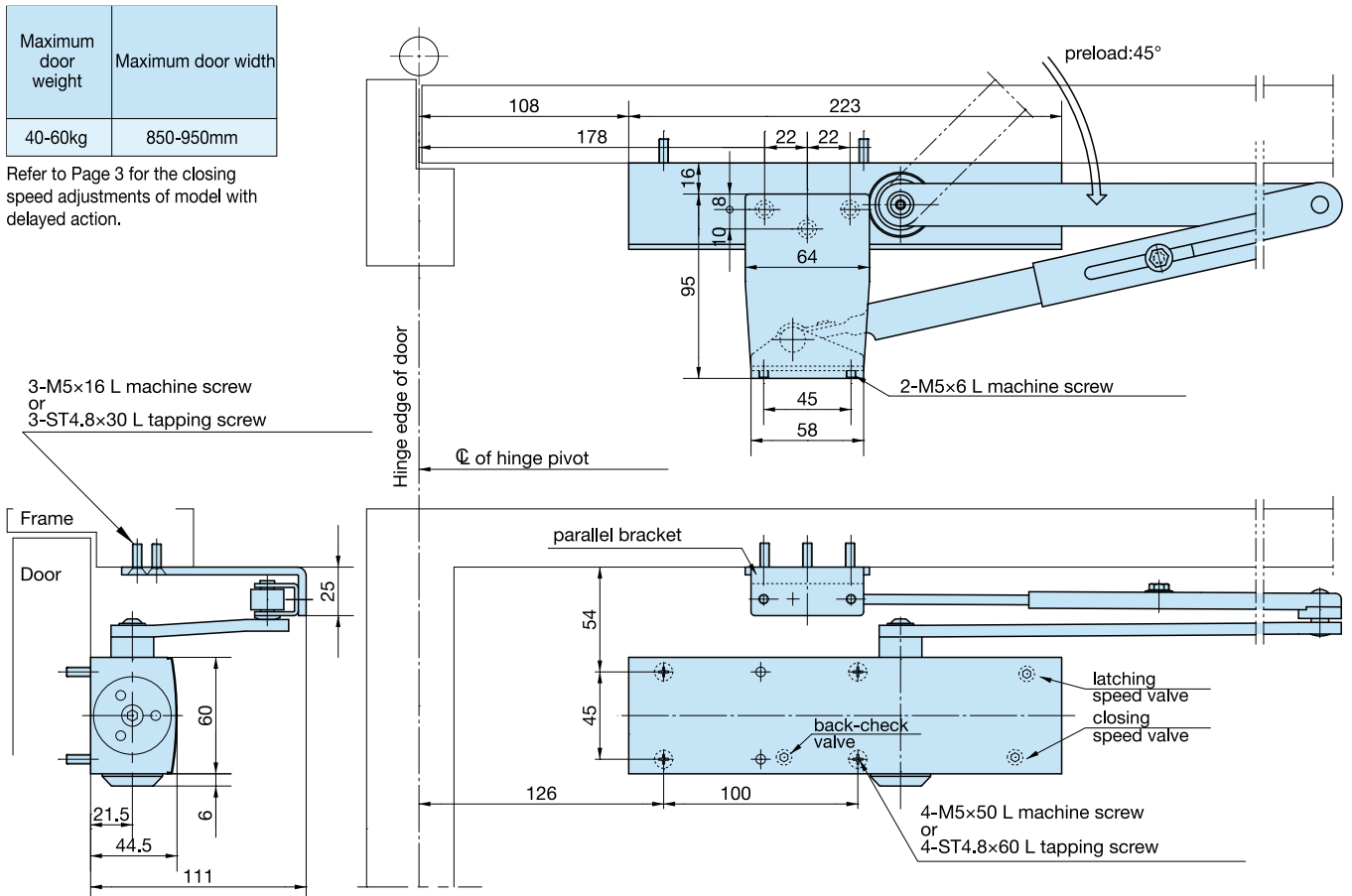
D-2200 Parallel arm installation

D-2200P / D-2200DAP



Maximum door weight	Maximum door width
40-60kg	850-950mm

Refer to Page 3 for the closing speed adjustments of model with delayed action.



RYOBI LIMITED

5-2-8 Toshima, Kita-ku Tokyo 114-8518, Japan

Tel. 81-3-3927-5536 Fax. 81-3-3927-5527

RYOBI is a registered trade mark of Ryobi Limited