

ABLOY® EL404 DIN standard push/pull function electric lockcase



Product description

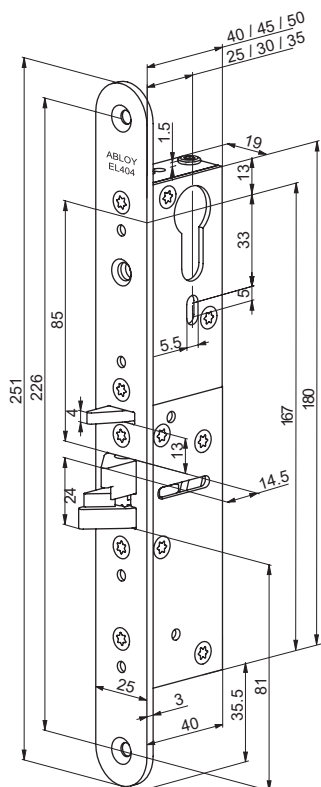
EL404 can be controlled by a variety of control devices such as card reader, keypad or timer. The lock can be connected to automatic swing door operator and is an excellent solution for use with access control system. Frame mounting above the door is also possible. Door can be opened by pushing or pulling when electric control is switched on. Lock can always be opened by key or by thumbturn and the lock deadlocks automatically when the door closes. EL404 is typically used in exterior doors of apartment buildings and interior doors of business premises. DIN model.

Overview of Advantages

- Doors with door automatics
- Suitable for swinging doors
- Two different versions of the lock case can be ordered
 - Electrical function
 - Fail locked EL404_100000
 - Fail unlocked EL404_101000
- NOT for fire rated doors
- NOT for doors with seals

Scope of delivery

- 1 pc lock
- 1 pc accessory set (fixing screws)
- 1 operating manual



Technical data

Trigger bolt	Symmetrical
Backsets	25mm / 30mm / 35mm
Face plate width	25mm
Suitable for fire-rated doors	No
EN 61000-6-1: 2007	EMC
EN 61000-6-3: 2007	EMC

This content is protected by Intellectual Property Rights Laws. The title to the content shall not pass to you, and instead shall remain with Abloy Oy or a third party holding the title. Abloy develops continuously the products and solutions offered. Therefore, the information contained in the document is subject to change without notice. ABLOY PROVIDES THIS CONTENT ON AN "AS IS" BASIS WITHOUT ANY WARRANTIES OF ANY KIND, EXPRESS, IMPLIED, OR STATUTORY."