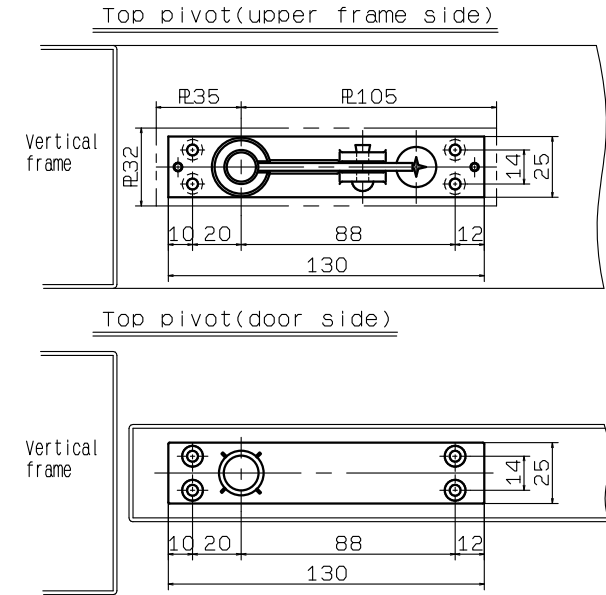
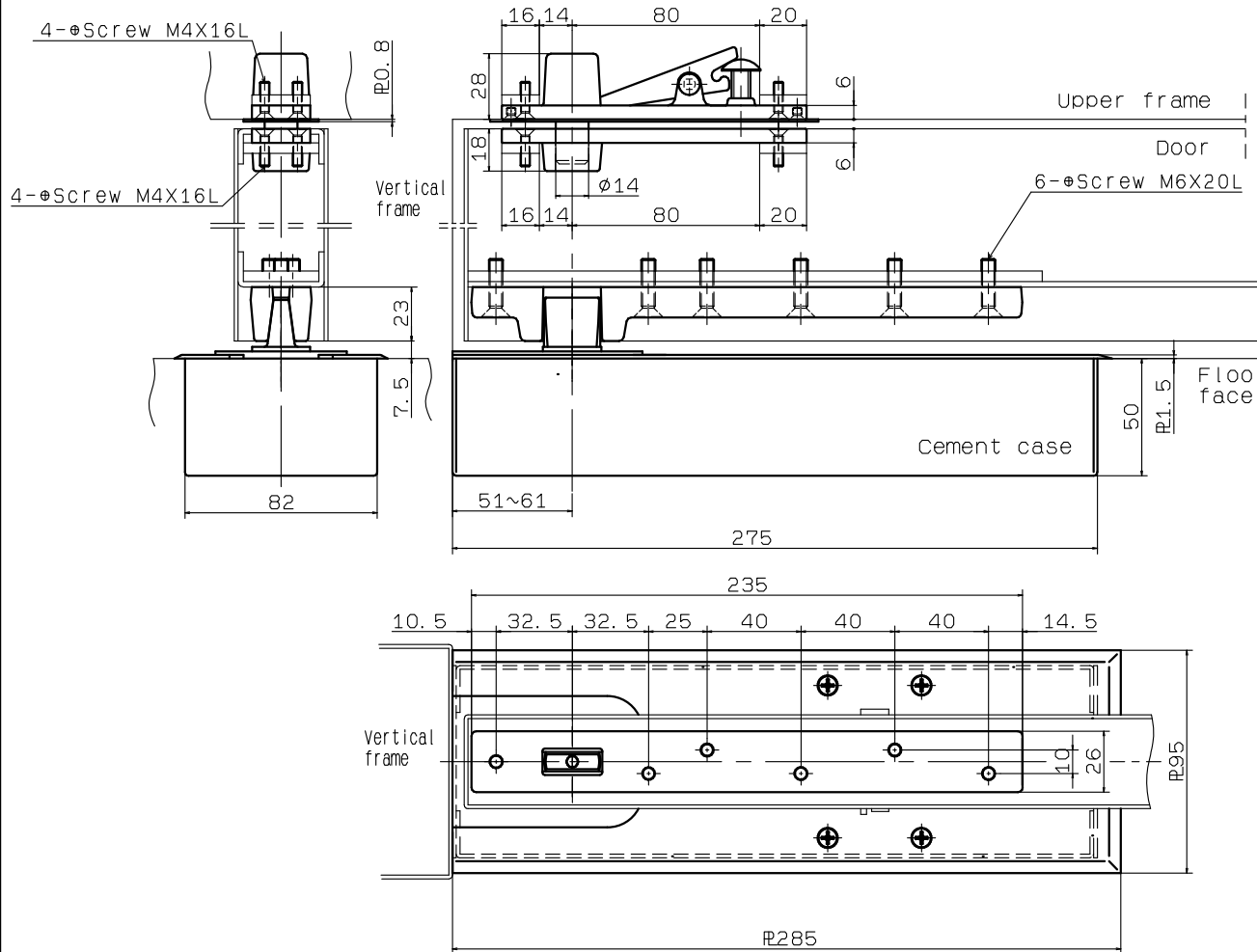


OPENING SYSTEM OF DOOR	MODEL NUMBER	HOLD OPEN ANGLE	DELAYED ACTION	FITTING SIZE AND WEIGHT	
				MAXIMUM WIDTH	MAXIMUM WEIGHT
CENTER HUNG IN DOUBLE ACTION MAXIMUM OPENING ANGLE 175°	S-500VK	90° HOLD	NO	1100mm	120kg
	500VK	NON-HOLD			
	S-500VDAK	90° HOLD	YES		
	500VDAK	NON-HOLD			



RYOBI LIMITED	PRODUCTS	APPLICATION	MODEL No.	DATE	REV.
	FLOOR HINGE	500 SERIES	500VK, S-500VK, 500VDAK, S-500VDAK	01/15/2020	1